

"Smooth Star", "Fiber Classic" & "Classic Craft"

Glazed Fiberglass Single Door w/ or w/o Sidelites

IN SWING / OUT SWING
"Non-Impact"

EVALUATED FOR USE IN THE STATE OF TEXAS

The Thermo-Tru FIBERGLASS door described herein complies with the 2006 International Residential Code (IRC), Sections R301 & R613 and the 2006 International Building Code (IBC), Sections 1405.12, 1609, 1714.5, 2403 and 2404 (including Texas revisions) subject to the following conditions:

1. Anchors shall be as listed and spaced as shown in the details. Anchor embedment to base material shall be beyond wall dressing or stucco.
2. When used in areas requiring wind-borne debris protection, this product is required to be protected with an impact resistant covering that complies with Section R301.2.1.2 of the IRC and Section 1609.1.2 of the IBC.
3. Allowable design pressure requirements must be equal to or less than the design pressure rating shown in the design pressure chart, sheet 1 of this drawing.
4. Conditions not covered by this drawing are subject to further engineering analysis.

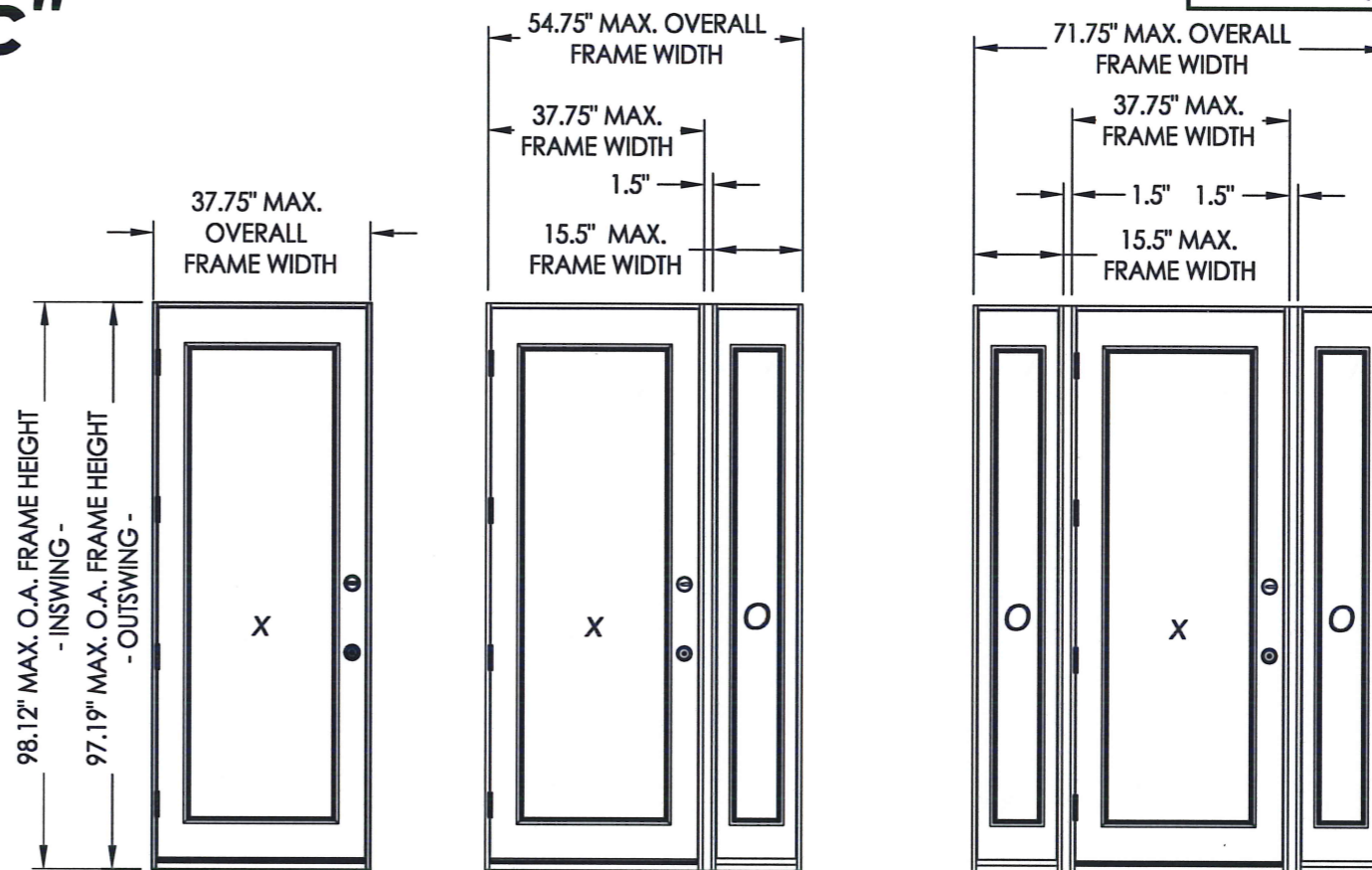
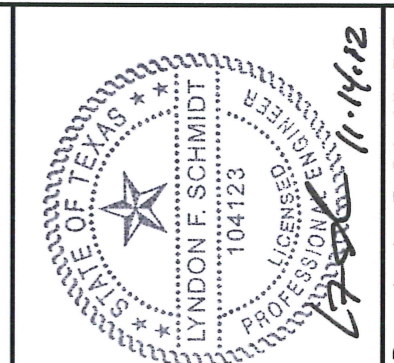


TABLE OF CONTENTS	
SHEET #	DESCRIPTION
1	Typical elevations, design pressures & general notes
2	Door panel & glazing detail (Smooth Star/Fiber Classic)
3	Door panel & glazing detail (Smooth Star/Fiber Classic)
4	Door panel & glazing detail (Classic Craft)
5	Sidelite panel & glazing detail (Smooth Star/Fiber Classic)
6	Sidelite panel & glazing detail (Classic Craft)
7	Elevations
8	Horizontal cross sections
9	Vertical cross sections
10	Vertical cross sections
11	Frame anchoring
12	Bill of materials and components

CONFIGURATION	MAX. FRAME DIMENSION	SWING	DESIGN PRESSURE (PSF) SMOOTH STAR / FIBER CLASSIC		DESIGN PRESSURE (PSF) CLASSIC CRAFT	
			POSITIVE	NEGATIVE	POSITIVE	NEGATIVE
X	37.75" x 98.12"	IN SWING	+30.0	-35.0	+47.0	-50.0
	37.75" x 97.19"	OUT SWING	+30.0	-30.0	+47.0	-47.0
OX or XO	54.75" x 98.12"	IN SWING	+30.0	-35.0	+47.0	-50.0
	54.75" x 97.19"	OUT SWING	+30.0	-30.0	+47.0	-47.0
OXO	71.75" x 98.12"	IN SWING	+30.0	-35.0	+47.0	-50.0
	71.75" x 97.19"	OUT SWING	+30.0	-30.0	+47.0	-47.0



Documents Prepared By: Lyndon F. Schmidt, P.E.
TEXAS P.E. #104123

RW BUILDING CONSULTANTS, INC.
P.O. Box 230 Vairico FL 33595
Phone No.: 813.659.9197

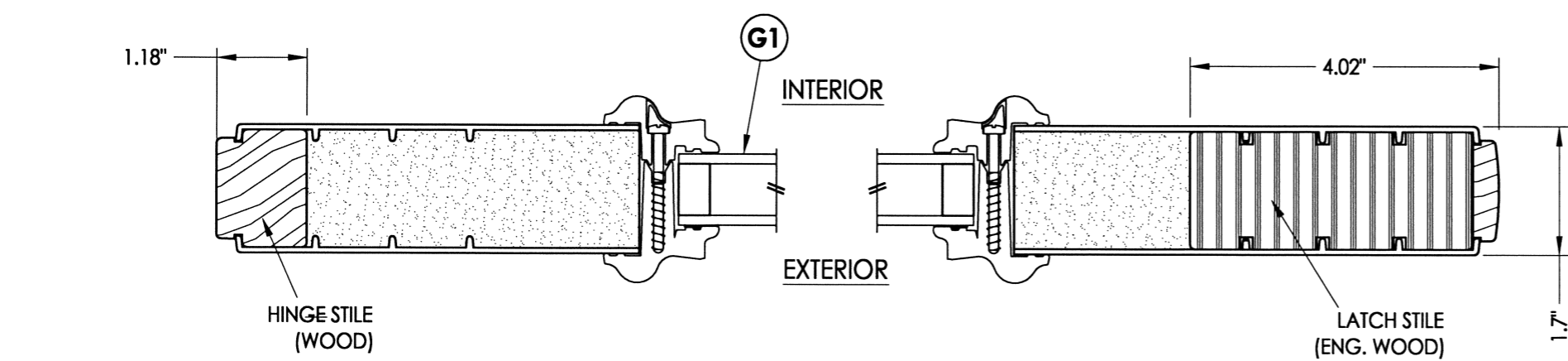
TEXAS BOARD OF PROFESSIONAL ENGINEERS
CERTIFICATE OF REGISTRATION # F-11852

PRODUCT: THERMA-TRU FIBERGLASS DOOR

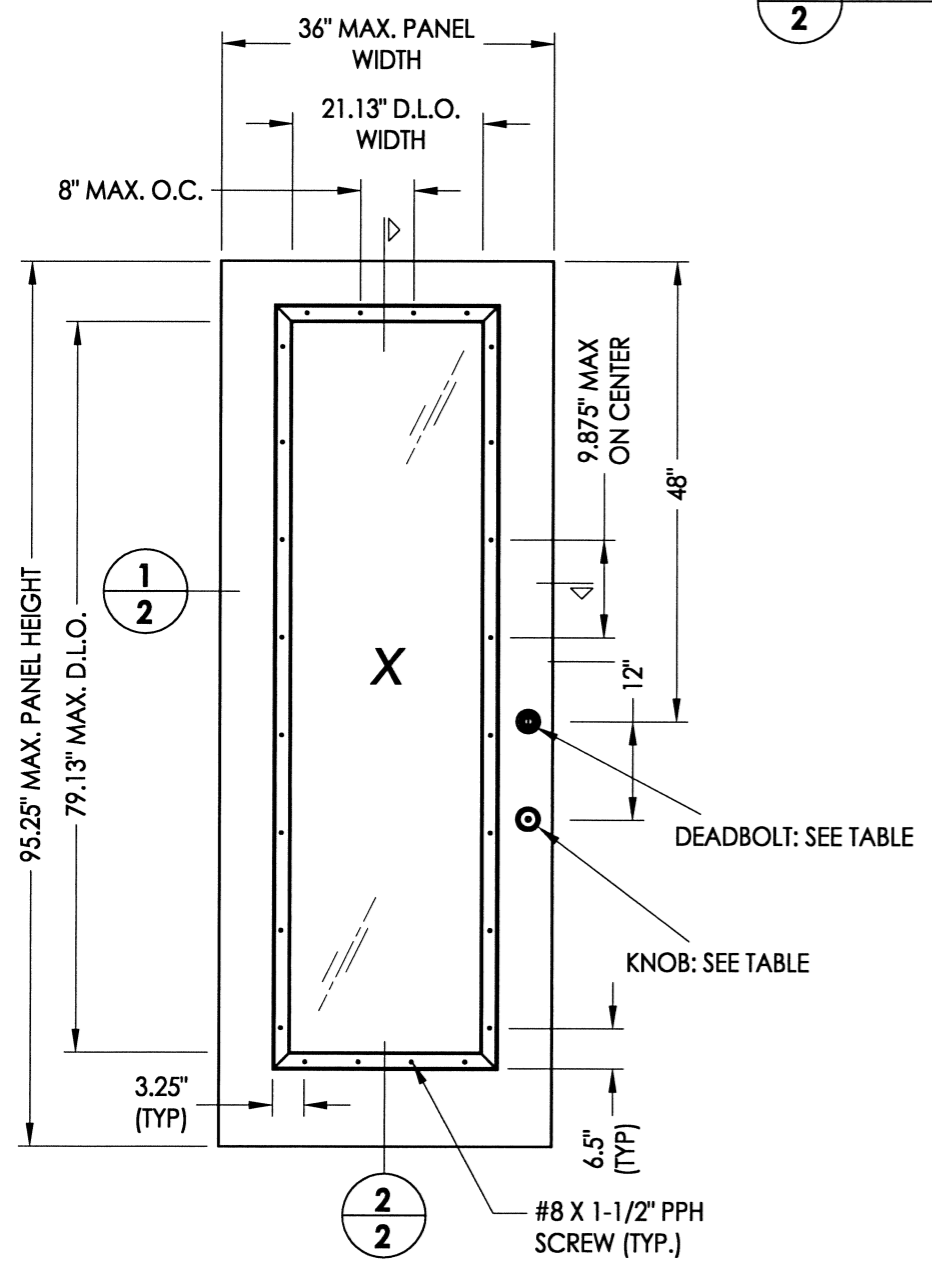
PART OR ASSEMBLY: TYPICAL ELEVATION, DESIGN PRESSURES & GENERAL NOTES

NO.	DATE	BY	REVISIONS

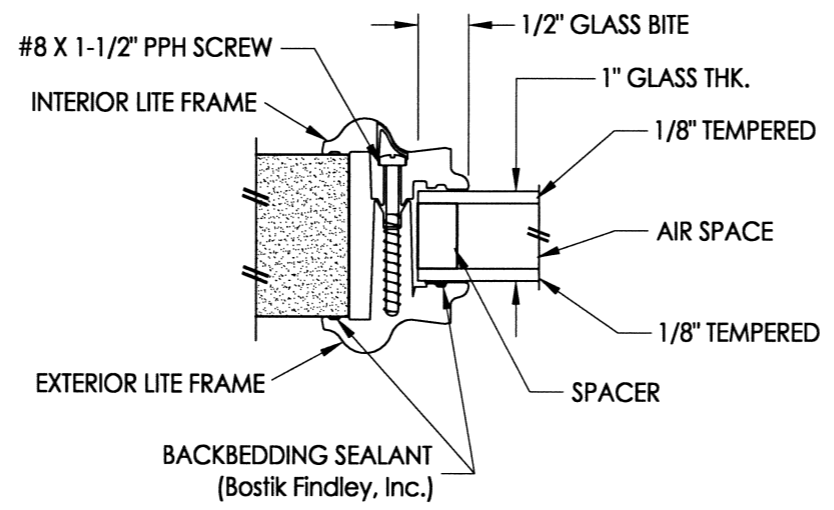
DATE: 10/08/12
SCALE: N.T.S.
DWG. BY: JK
CHK. BY: LFS
DRAWING NO.: TX-4264
SHEET 1 of 12



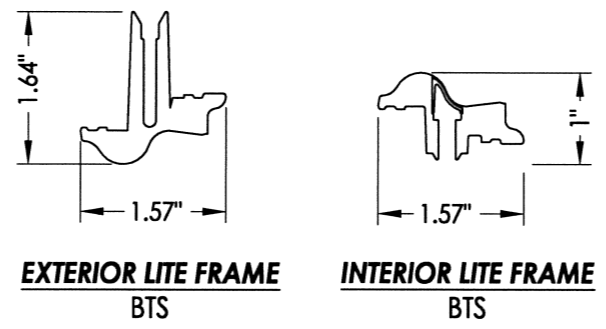
1
2 **HORIZONTAL CROSS SECTION**



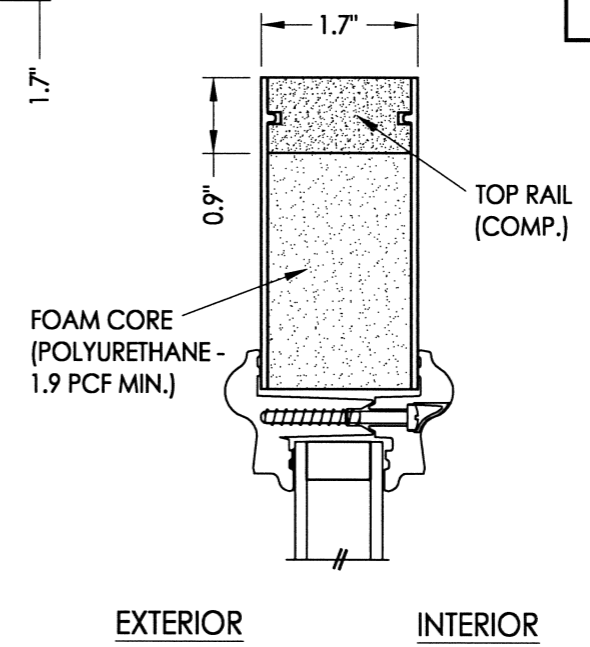
40 **DOOR PANEL**
Smooth Star/Fiber Classic



G1 **GLAZING DETAIL**
BTS Lip Lite Frame



HARDWARE TABLE	
MANUFACTURER	MODEL
KWIKSET	KNOB: SIGNATURE SERIES DEADBOLT: SIGNATURE SERIES (980)
SCHLAGE	KNOB: "F" SERIES DEADBOLT: "B" SERIES



2
2 **VERTICAL CROSS SECTION**



Documents Prepared By: Lyndon F. Schmidt, P.E.
TEXAS P.E. #104123

RW BUILDING CONSULTANTS, INC.
P.O. Box 230 Vairico FL 33595
Phone No.: 813.659.9197

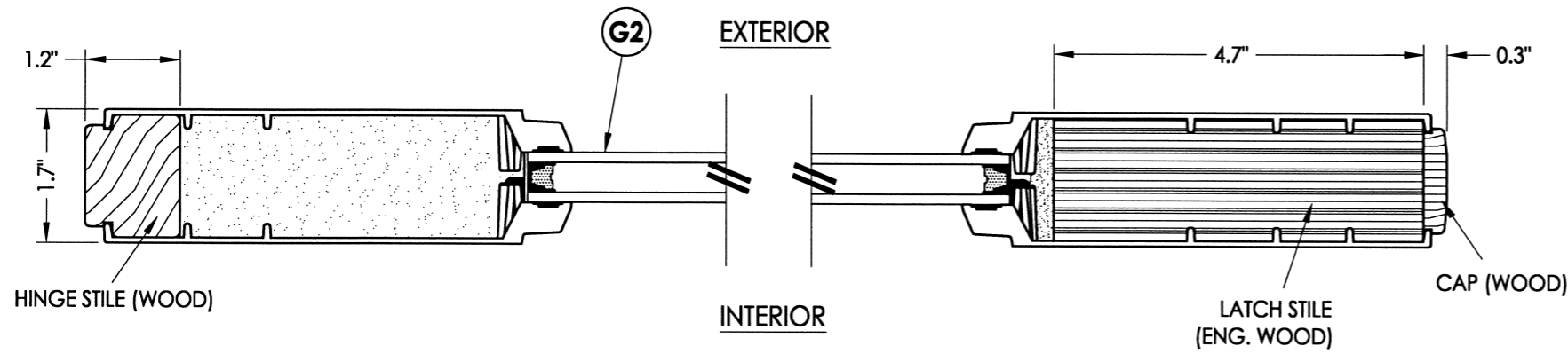
TEXAS BOARD OF PROFESSIONAL ENGINEERS
CERTIFICATE OF REGISTRATION # F-11852

PRODUCT: THERMA-TRU
FIBERGLASS DOOR

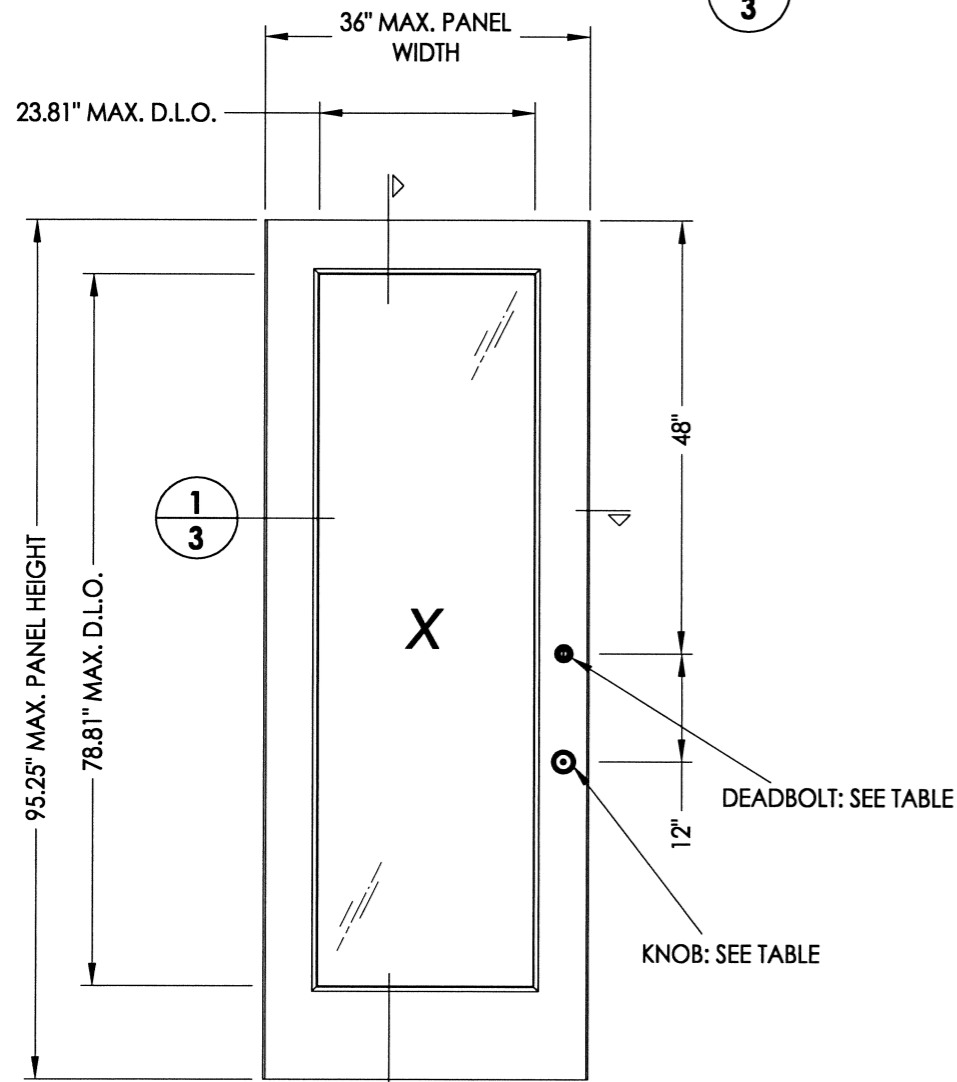
PART OR ASSEMBLY:
DOOR PANEL & GLAZING DETAIL
(SMOOTH STAR/FIBER CLASSIC)

NO.	DATE	BY	REVISIONS

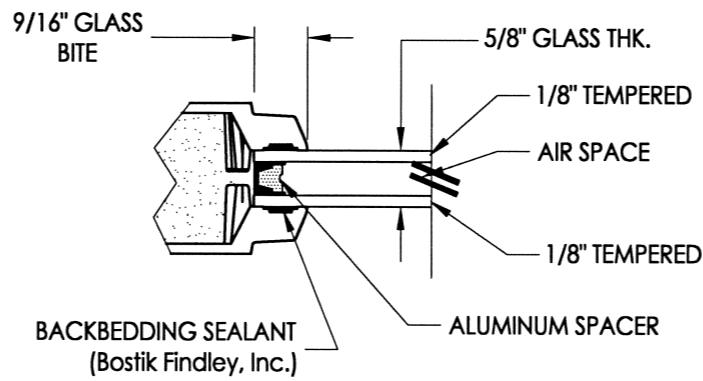
DATE: 10/08/12
SCALE: N.T.S.
DWG. BY: JK
CHK. BY: LFS
DRAWING NO.: TX-4264
SHEET 2 of 12



1
3 HORIZONTAL CROSS SECTION

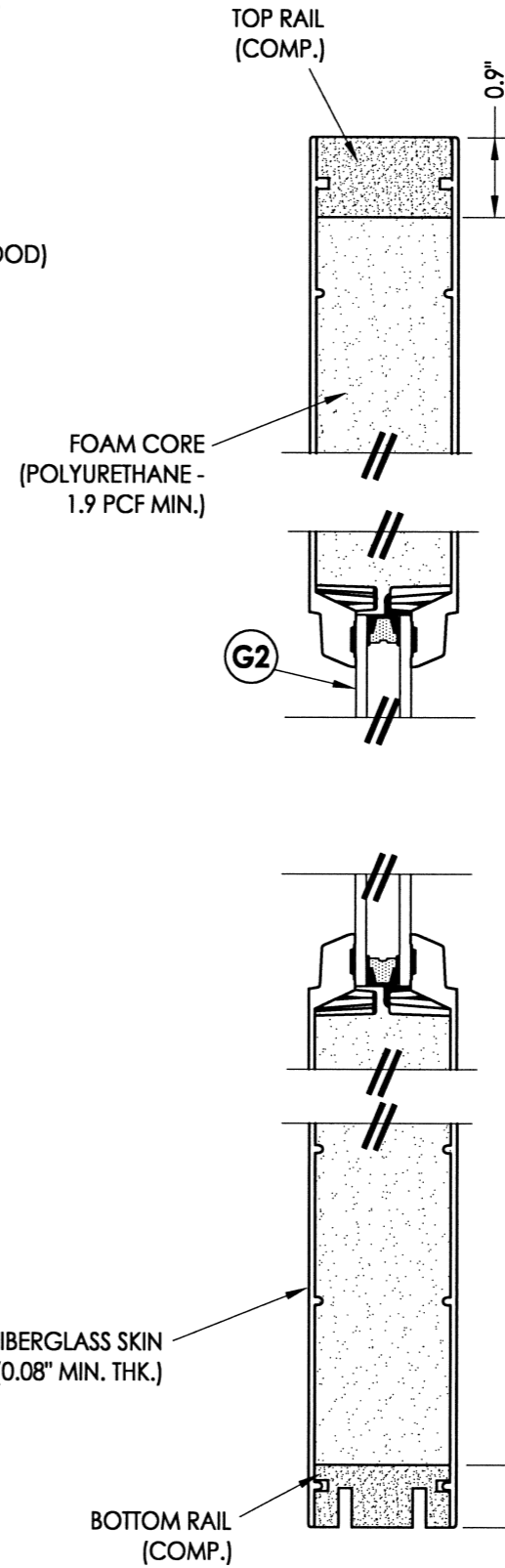


41 DOOR PANEL
Smooth Star/Fiber Classic

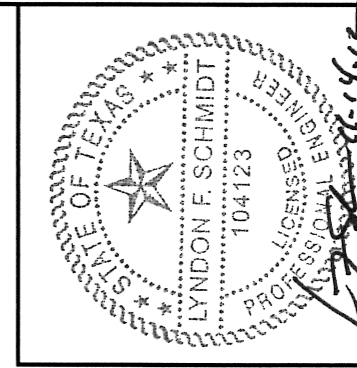


G2 GLAZING DETAIL
Flush Glazed

HARDWARE TABLE	
MANUFACTURER	MODEL
KWIKSET	KNOB: SIGNATURE SERIES
	DEADBOLT: SIGNATURE SERIES (980)
SCHLAGE	KNOB: "F" SERIES
	DEADBOLT: "B" SERIES



2
3 VERTICAL CROSS SECTION



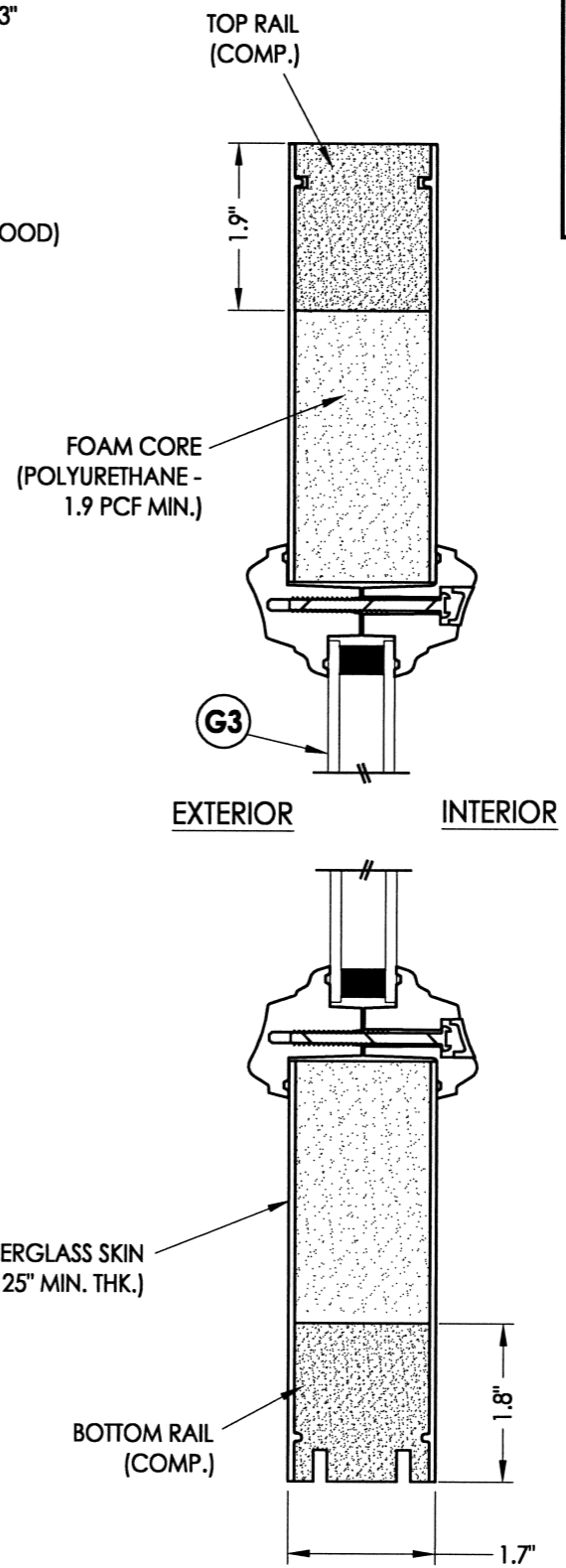
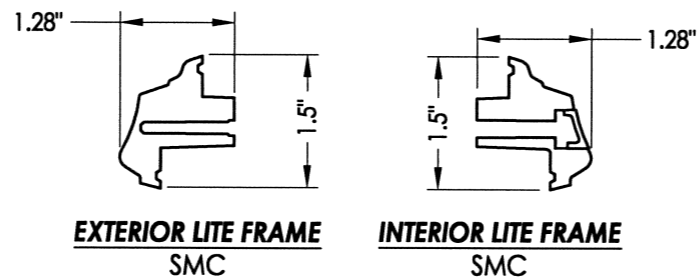
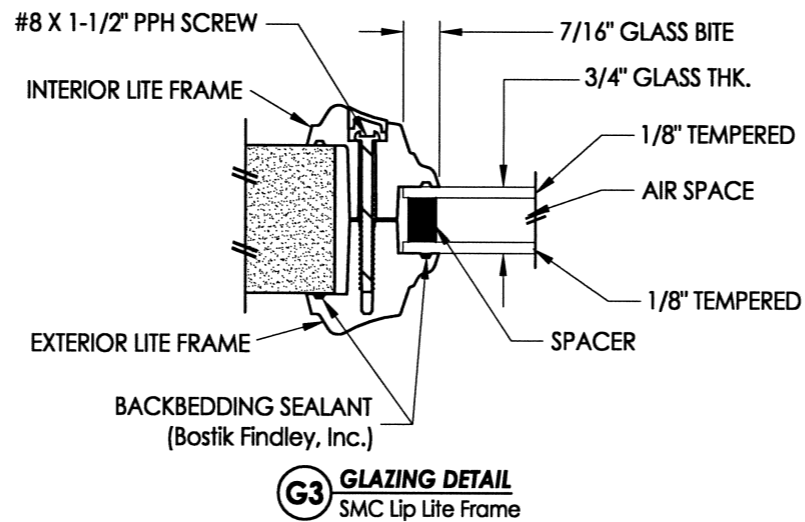
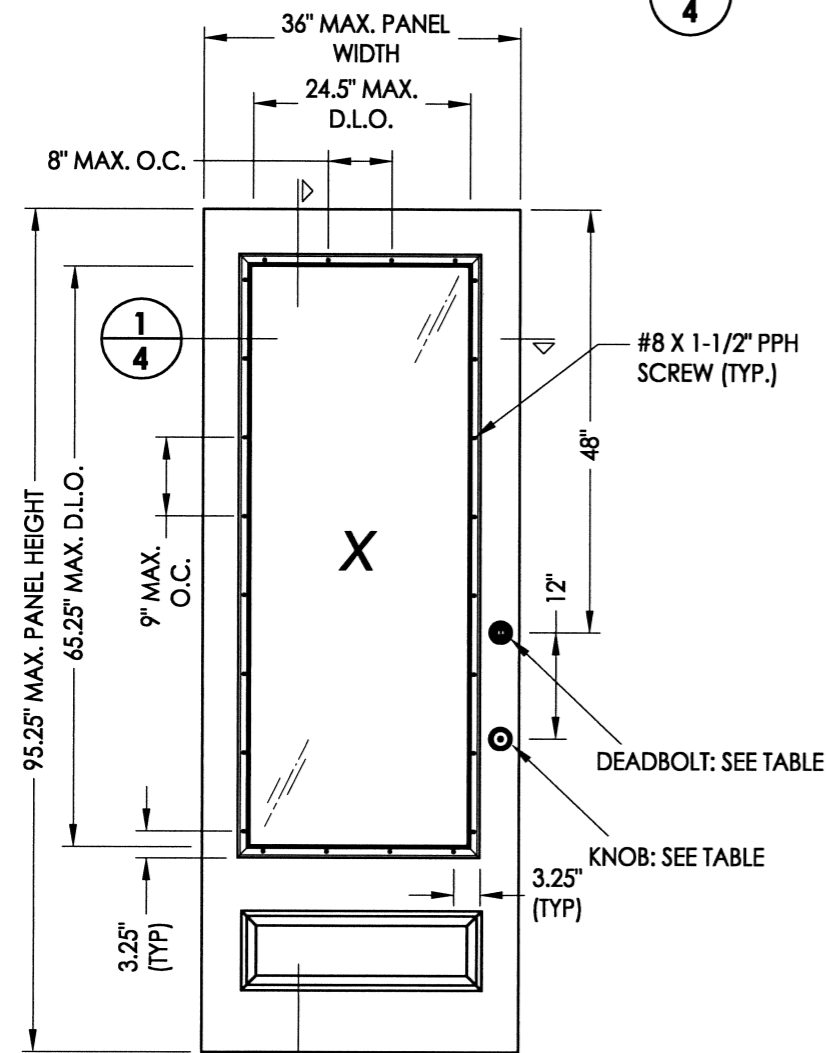
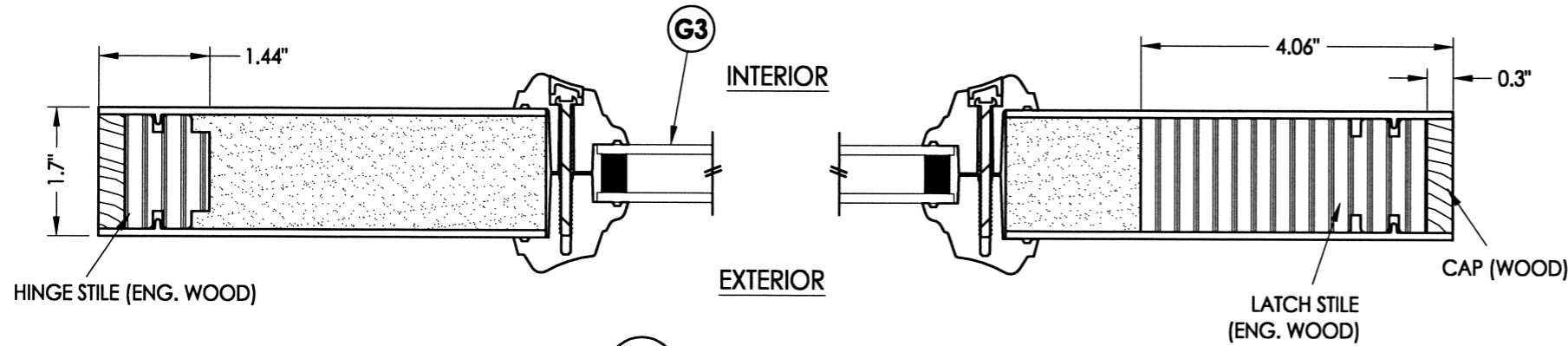
Documents Prepared By: Lyndon F. Schmidt, P.E.
TEXAS P.E. #104123

RW BUILDING CONSULTANTS, INC.
P.O. Box 230 Valrico FL 33595
Phone No.: 813.659.9197

TEXAS BOARD OF PROFESSIONAL ENGINEERS
CERTIFICATE OF REGISTRATION # F-11852

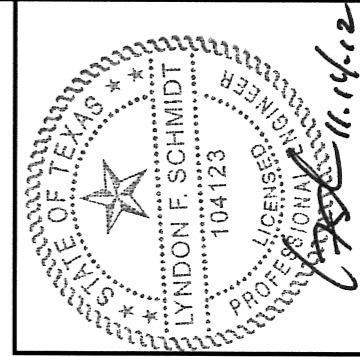
PRODUCT:	THERMA-TRU FIBERGLASS DOOR		
PART OR ASSEMBLY:	DOOR PANEL & GLAZING DETAIL (SMOOTH STAR/FIBER CLASSIC)		
NO.	DATE	BY	REVISIONS

DATE:	10/08/12
SCALE:	N.T.S.
DWG. BY:	JK
CHK. BY:	LFS
DRAWING NO.:	TX-4264
SHEET	3 OF 12



2
4 **DOOR PANEL**
Classic Craft

HARDWARE TABLE			
MANUFACTURER	MODEL	DEADBOLT STRIKE PLATE	MAX. DESIGN PRESSURE
KWIKSET	KNOB: SIGNATURE SERIES	STANDARD STRIKE	+40/-50 PSF (INSWING) +40/-40 PSF (OUTSWING)
	DEADBOLT: SIGNATURE SERIES (980)	SECURITY STRIKE	+47/-50 PSF (INSWING) +47/-47 PSF (OUTSWING)

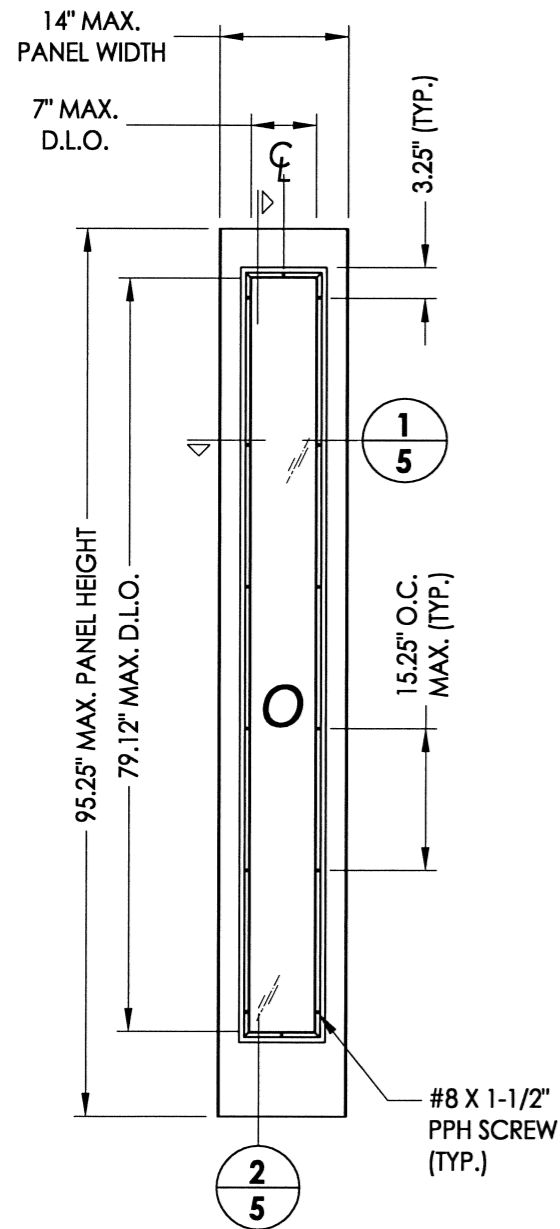
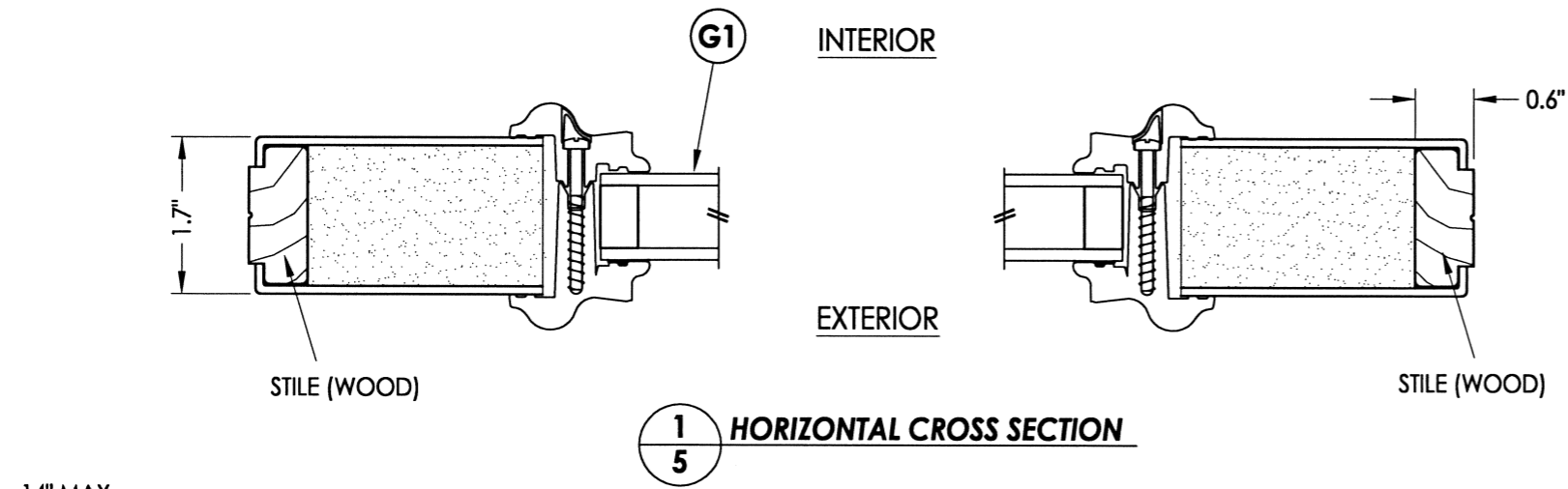


Documents Prepared By: Lyndon F. Schmidt, P.E.
TEXAS P.E. #104123

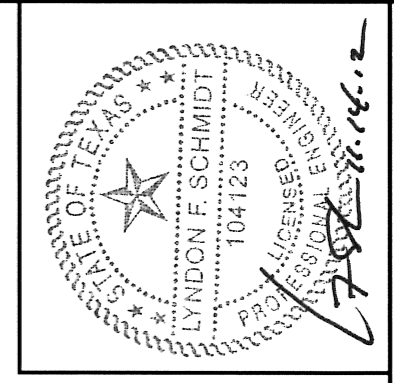
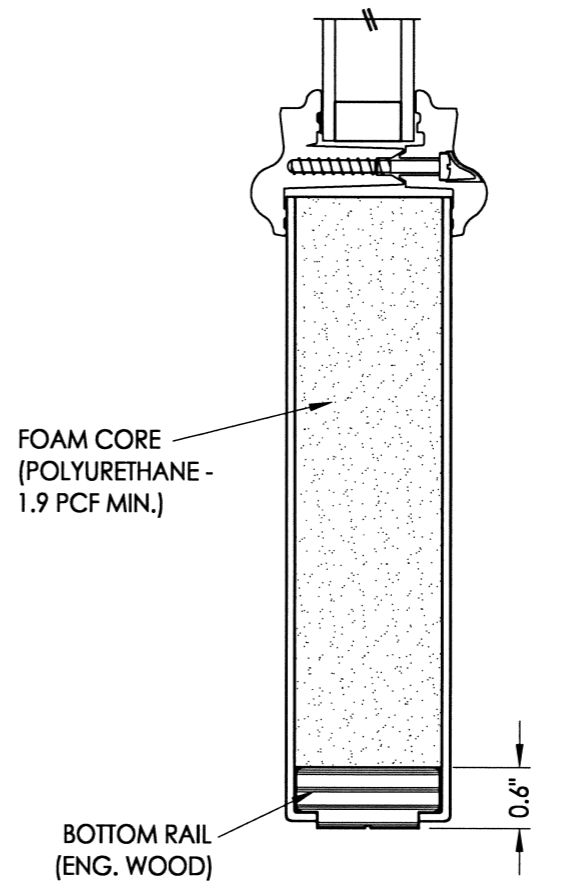
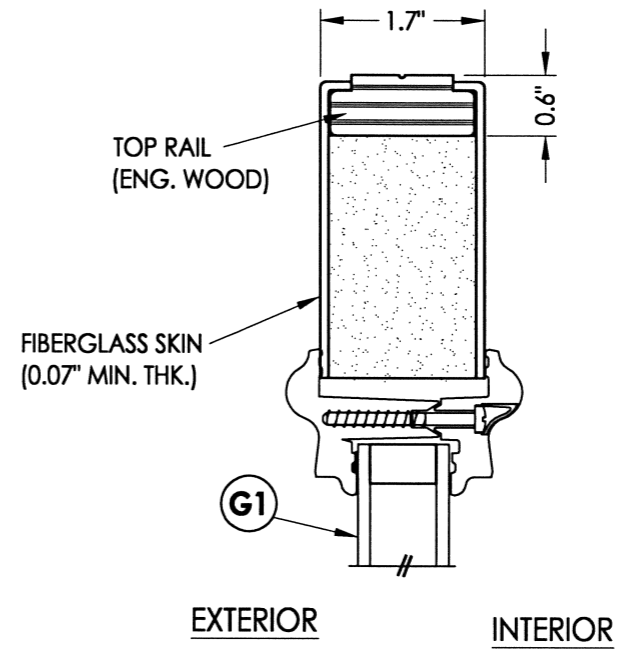
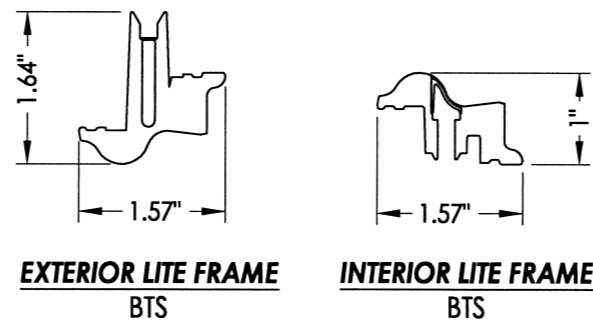
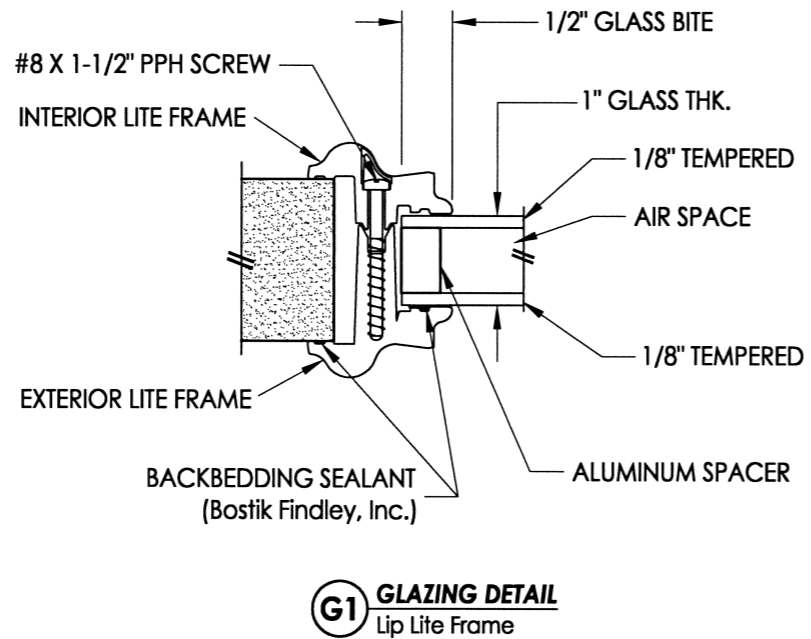
RW BUILDING CONSULTANTS, INC.
P.O. Box 230 Vairico FL 33595
Phone No.: 813.659.9197

TEXAS BOARD OF PROFESSIONAL ENGINEERS
CERTIFICATE OF REGISTRATION # F-11852

PRODUCT:	THERMA-TRU FIBERGLASS DOOR	
PART OR ASSEMBLY:	DOOR PANEL & GLAZING DETAIL (CLASSIC CRAFT)	
NO.	DATE	BY
REVISIONS		
DATE: 10/08/12		
SCALE: N.T.S.		
DWG. BY: JK		
CHK. BY: LFS		
DRAWING NO.: TX-4264		
SHEET 4 OF 12		



50 **SIDELITE PANEL**
Smooth Star/Fiber Classic



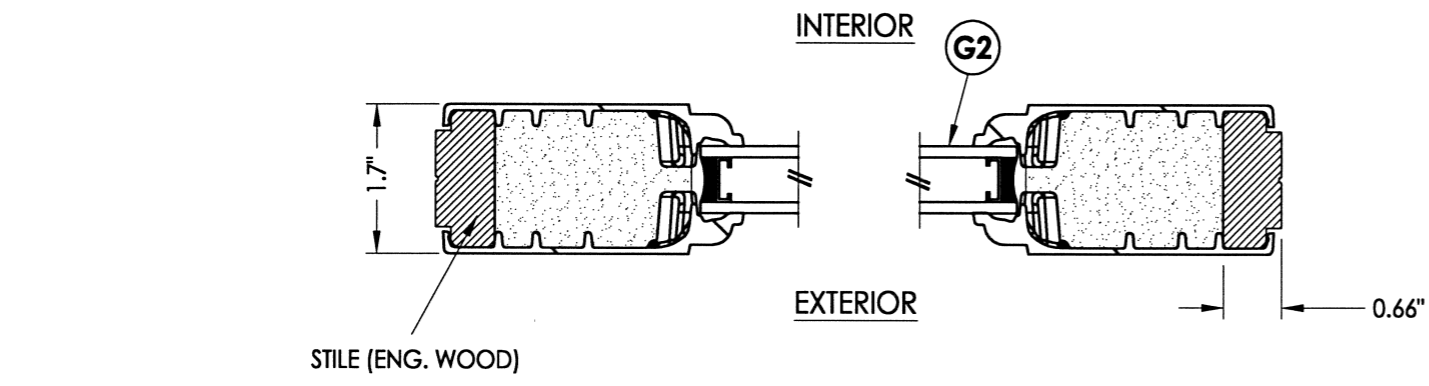
Documents Prepared By: Lyndon F. Schmidt, P.E.
TEXAS P.E. #104123

RW BUILDING CONSULTANTS, INC.
P.O. Box 230 Vairico FL 33595
Phone No.: 813.659.9197
TEXAS BOARD OF PROFESSIONAL ENGINEERS
CERTIFICATE OF REGISTRATION # F-11852

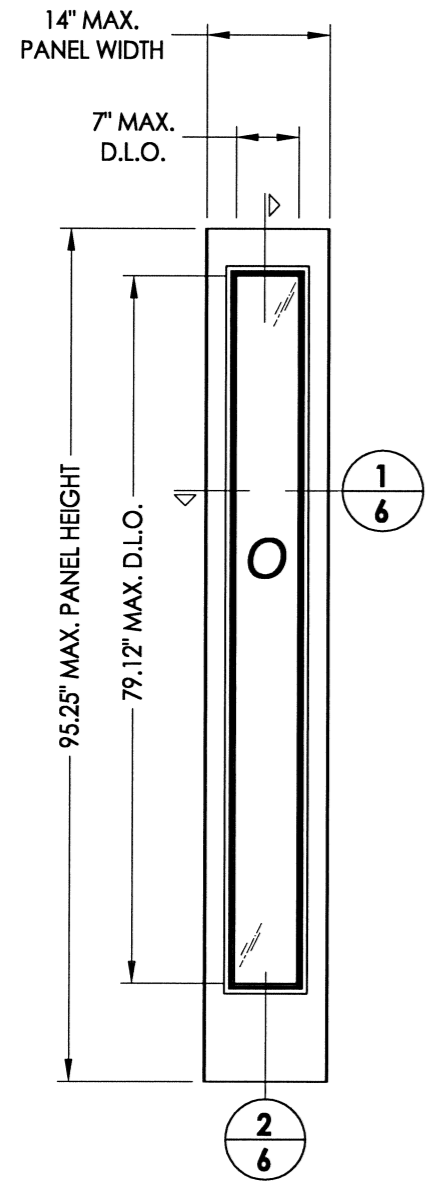
PRODUCT: THERMA-TRU
FIBERGLASS DOOR
PART OR ASSEMBLY: SIDELITE PANEL & GLAZING DETAIL
(SMOOTH STAR/FIBER CLASSIC)

NO.	DATE	BY	REVISIONS

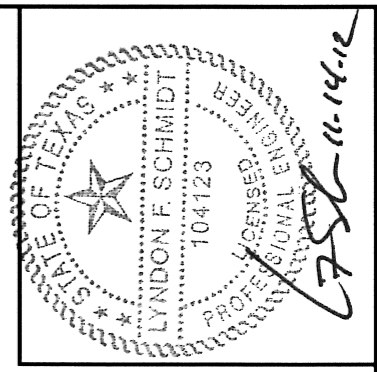
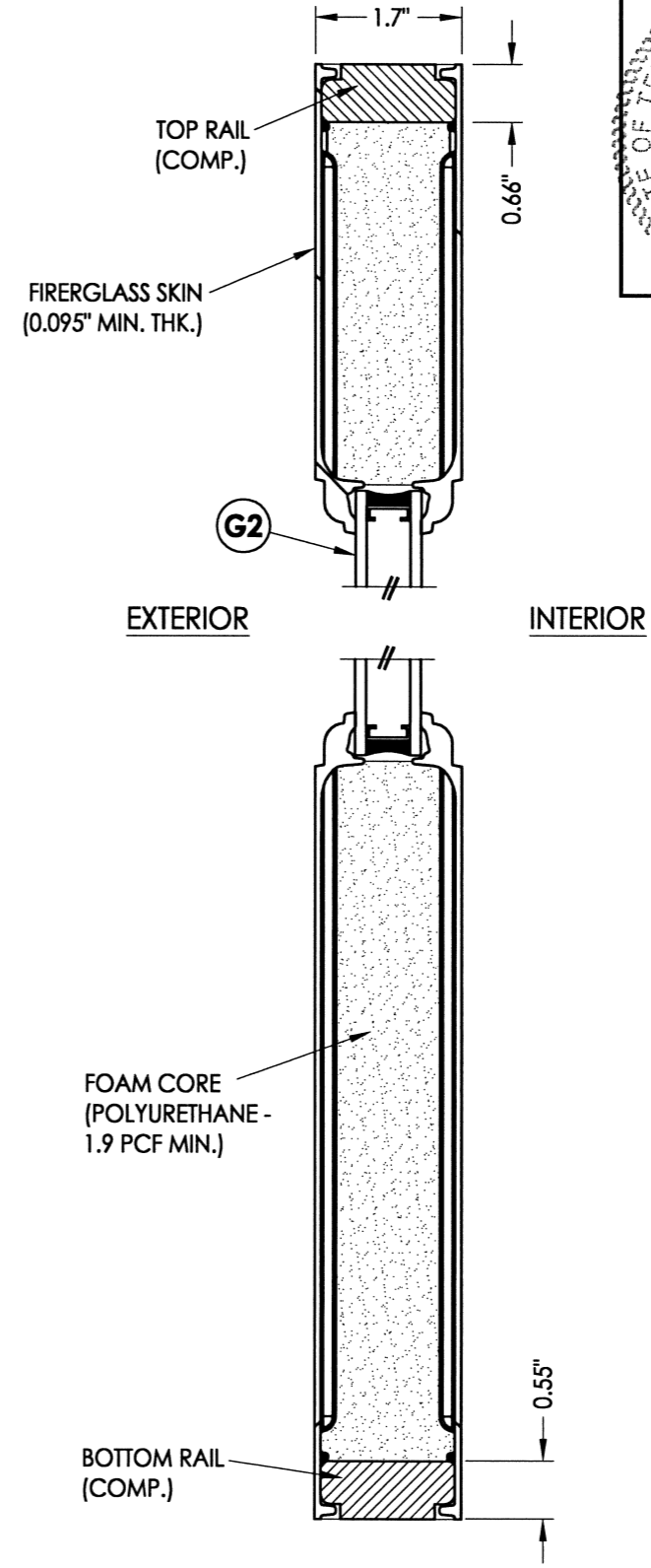
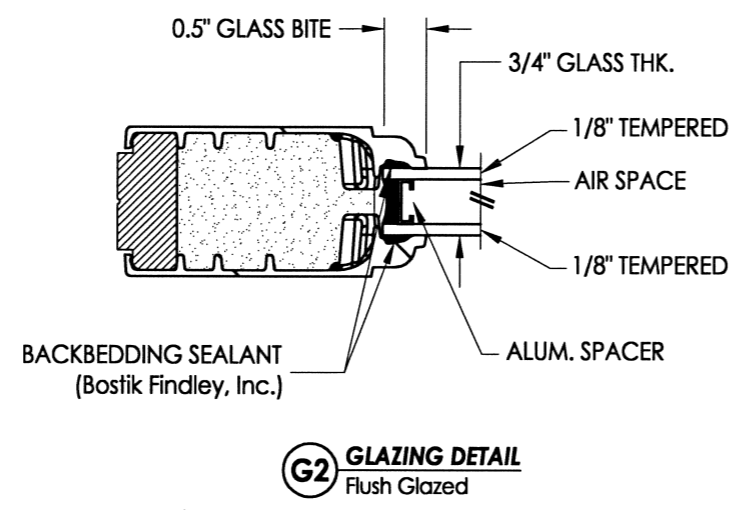
DATE: 10/08/12
SCALE: N.T.S.
DWG. BY: JK
CHK. BY: LFS
DRAWING NO.: TX-4264
SHEET 5 OF 12



1
6 HORIZONTAL CROSS SECTION



51 SIDELITE PANEL
Classic Craft



Documents Prepared By: Lyndon F. Schmidt, P.E.
TEXAS P.E. #104123

RW BUILDING CONSULTANTS, INC.
P.O. Box 230 Valrico FL 33595
Phone No.: 813.659.9197

TEXAS BOARD OF PROFESSIONAL ENGINEERS
CERTIFICATE OF REGISTRATION # F-11852

PRODUCT: THERMA-TRU
FIBERGLASS DOOR

PART OR ASSEMBLY:
SIDELITE PANEL & GLAZING DETAIL
(CLASSIC CRAFT)

NO.	DATE	BY	REVISIONS

DATE: 10/08/12

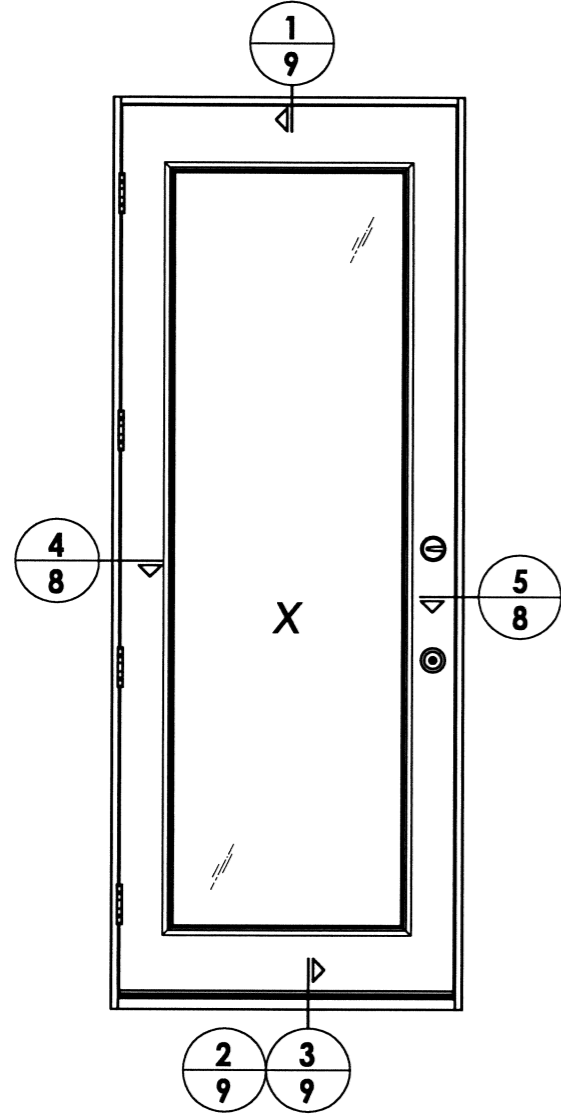
SCALE: N.T.S.

DWG. BY: JK

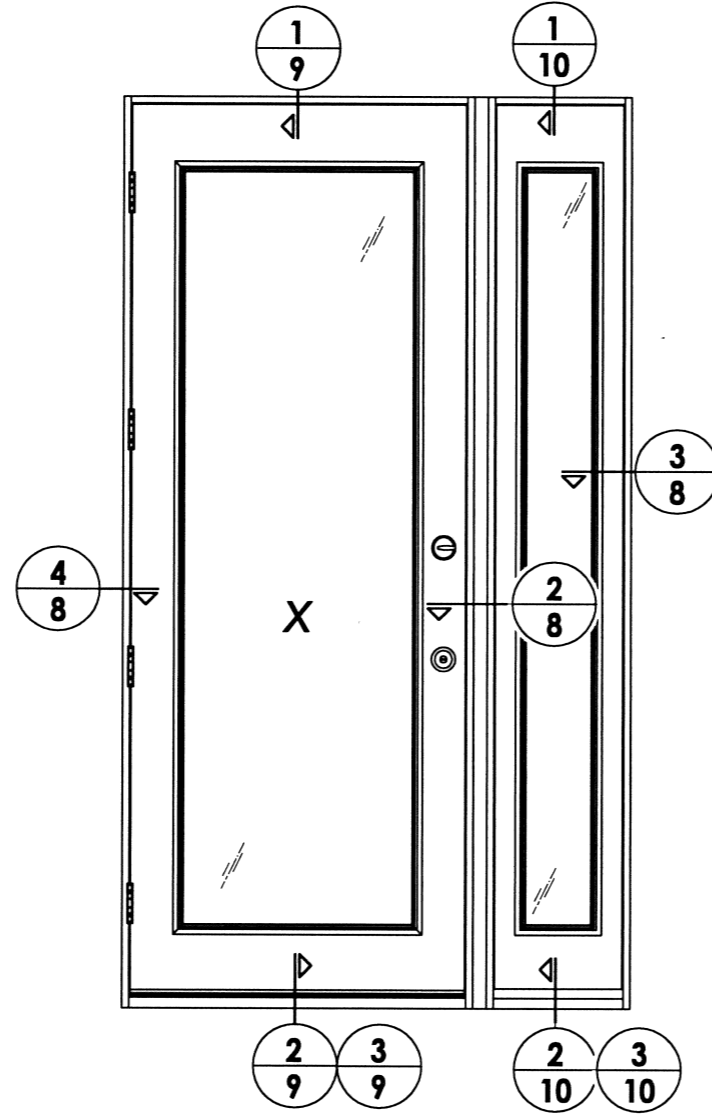
CHK. BY: LFS

DRAWING NO.: TX-4264

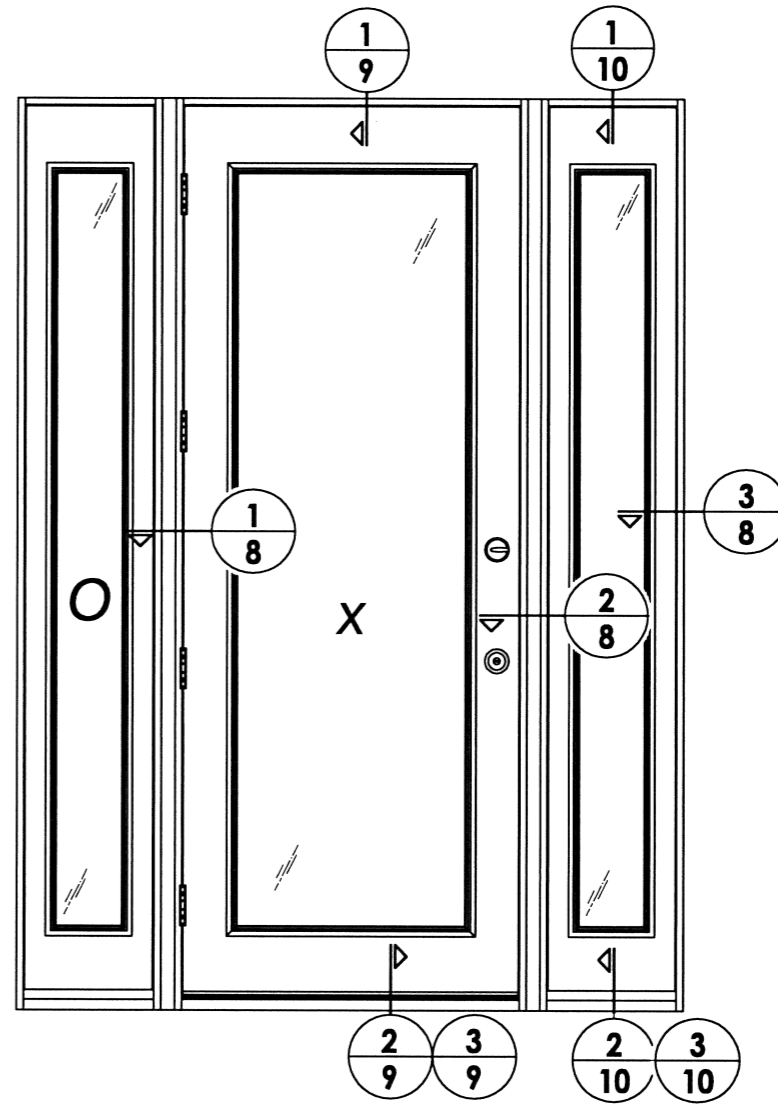
SHEET 6 OF 12



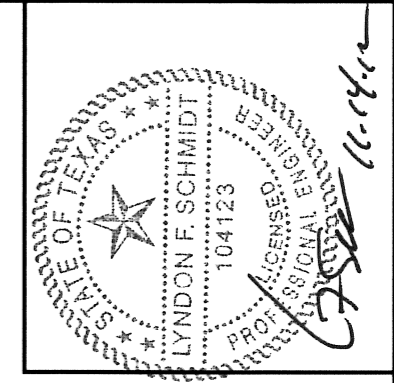
ELEVATION (X)



ELEVATION (OX / XO)



ELEVATION (OXO)



Documents Prepared By: Lyndon F. Schmidt, P.E.
TEXAS P.E. #104123

RW BUILDING CONSULTANTS, INC.
P.O. Box 230 Valrico FL 33595
Phone No.: 813.659.9197

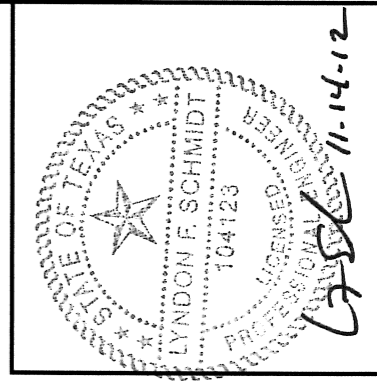
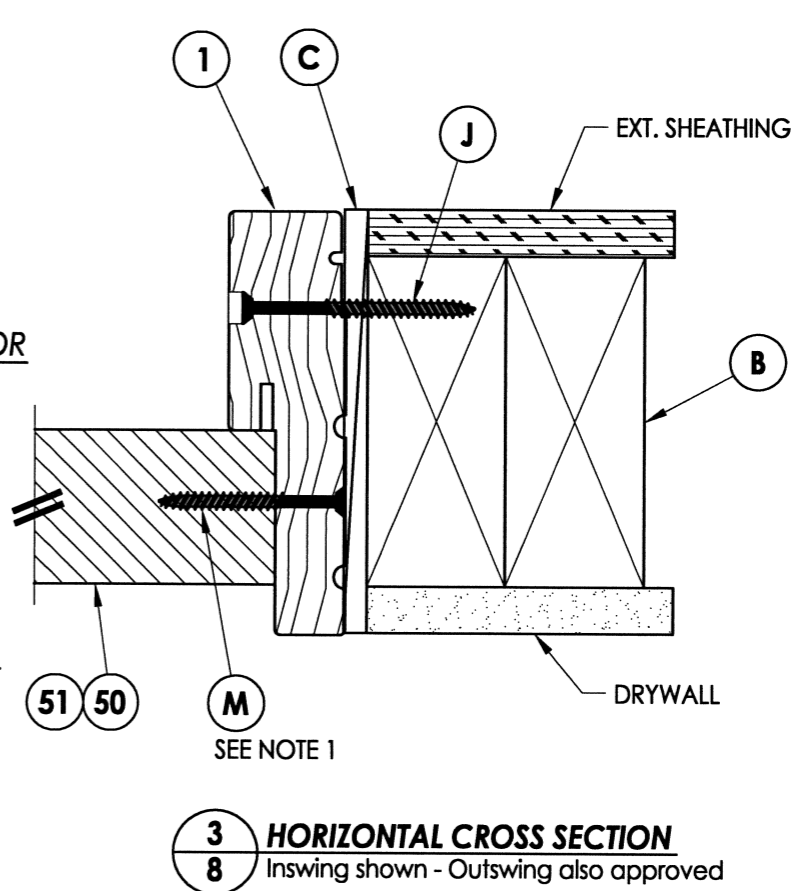
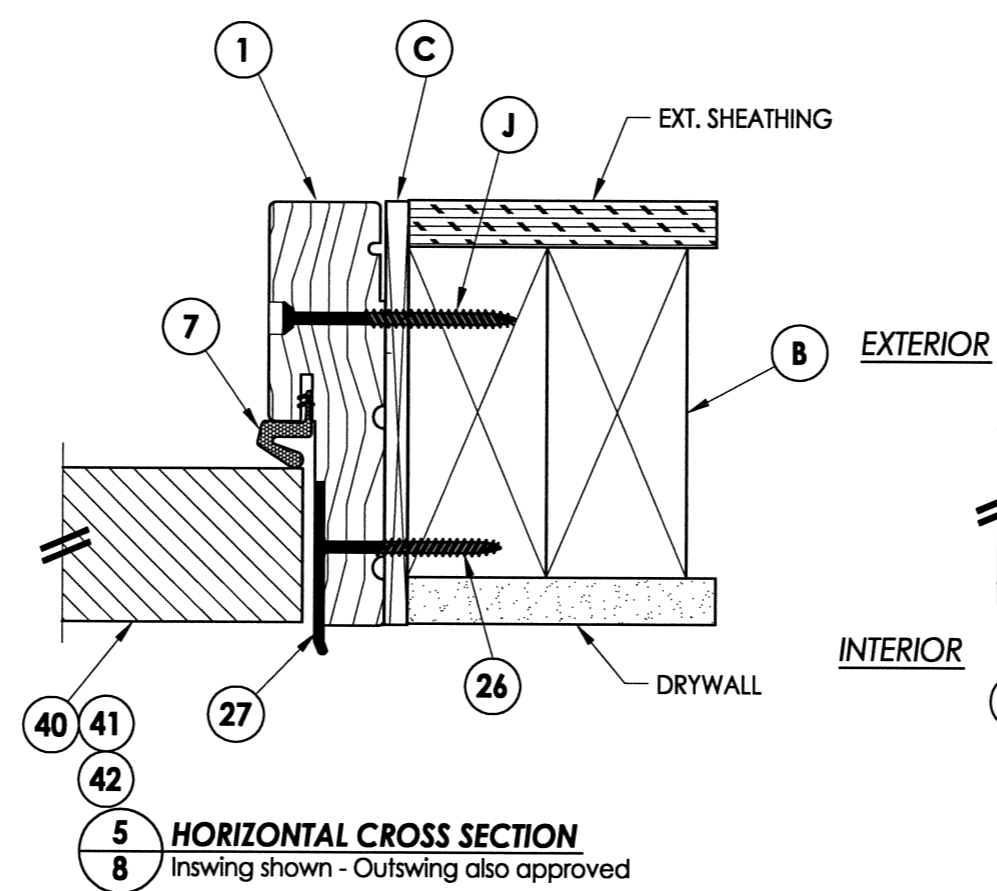
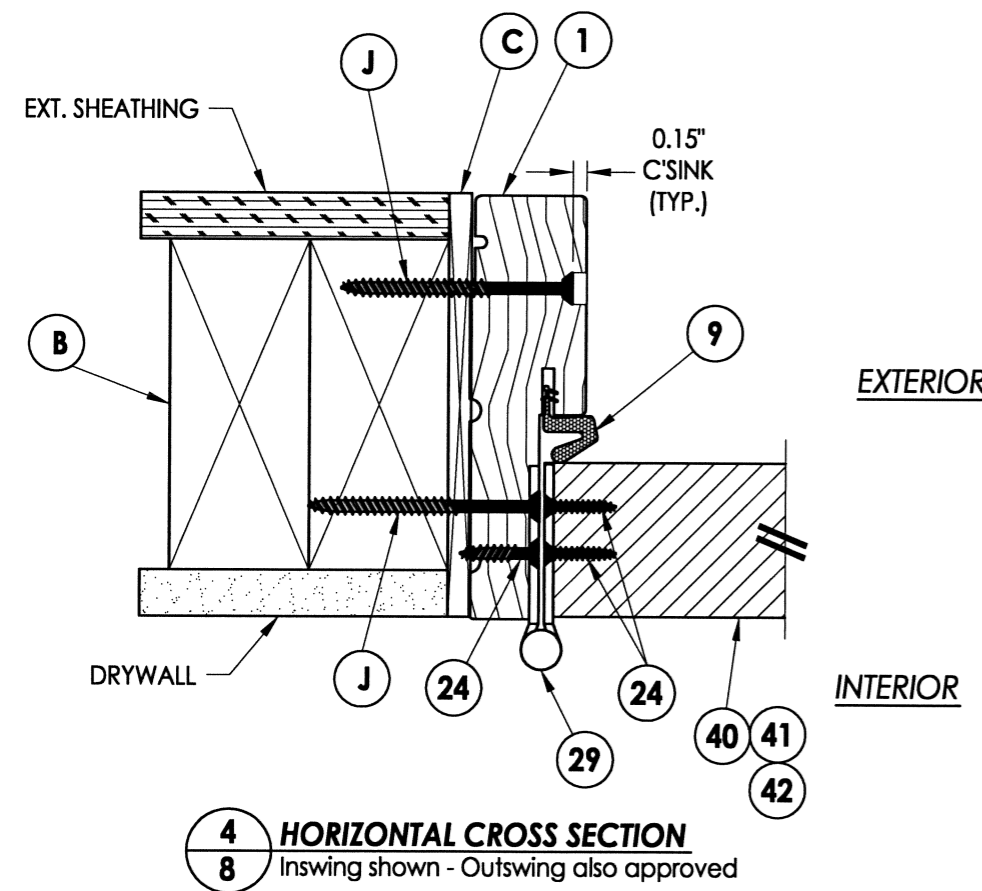
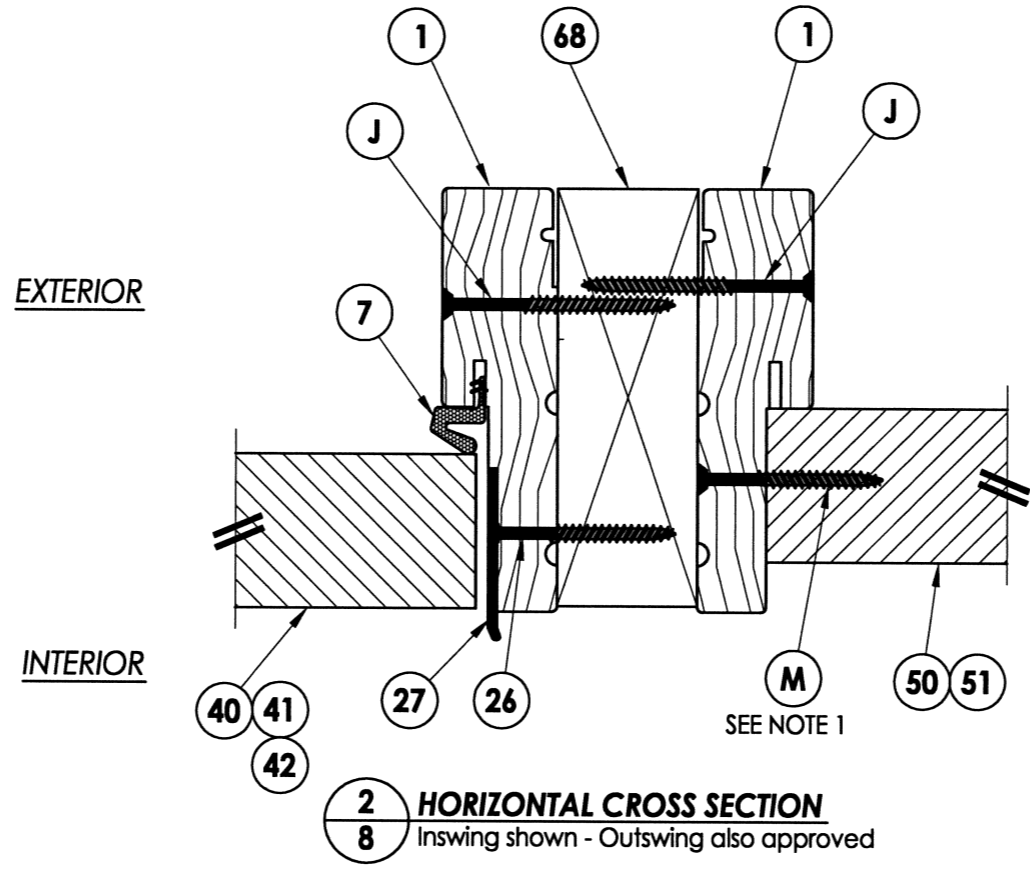
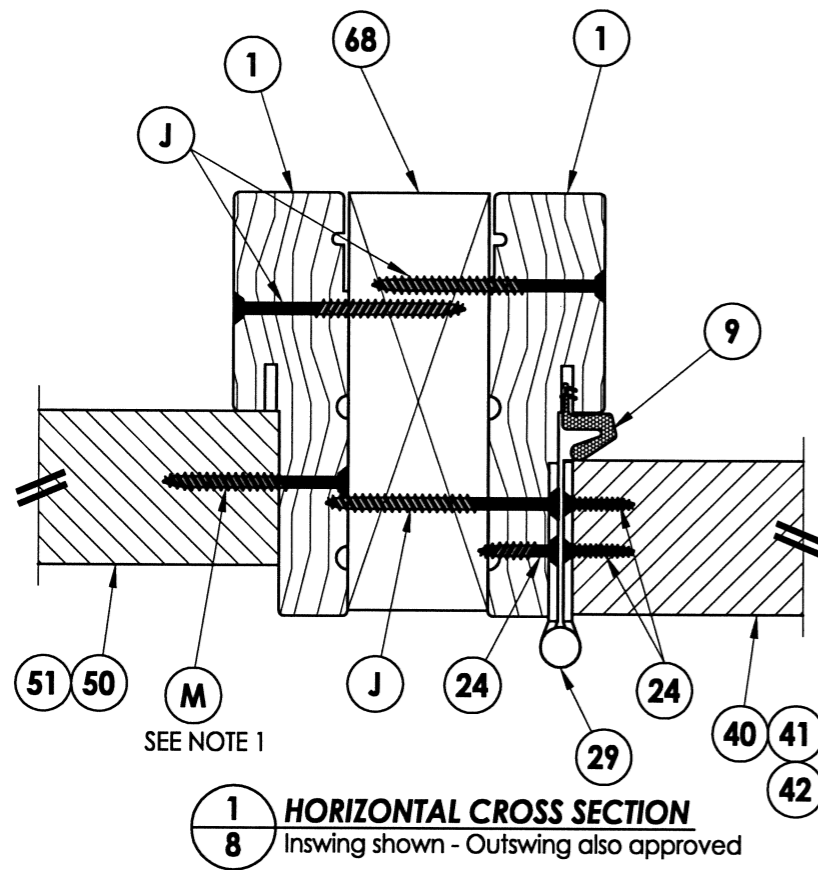
TEXAS BOARD OF PROFESSIONAL ENGINEERS
CERTIFICATE OF REGISTRATION # F-11852

PRODUCT: THERMA-TRU
FIBERGLASS DOOR
PART OR ASSEMBLY:
ELEVATIONS

NO.	DATE	BY

DATE: 10/08/12
SCALE: N.T.S.
DWG. BY: JK
CHK. BY: LFS
DRAWING NO.: TX-4264
SHEET 7 OF 12

R:\A - Projects\Project Folders\Proj 1601 - 1700\PF 1694\D. RWBC Drawings\Texas 2012\TX-4264-65.dwg, 8



Note:
 1. Sidelite assembly screws located 11-1/2" from each end plus 1 more at the center of jamb (3 total).

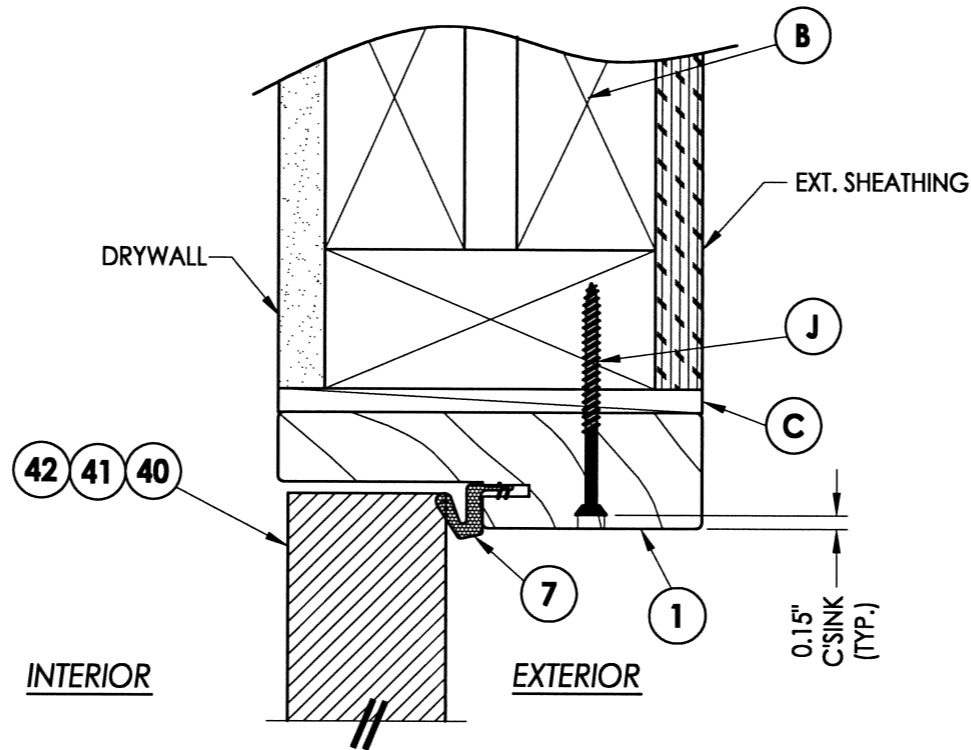
Documents Prepared By: Lyndon F. Schmidt, P.E.
 TEXAS P.E. #104123

RW BUILDING CONSULTANTS, INC.
 P.O. Box 230 Valrico FL 33595
 Phone No.: 813.659.9197

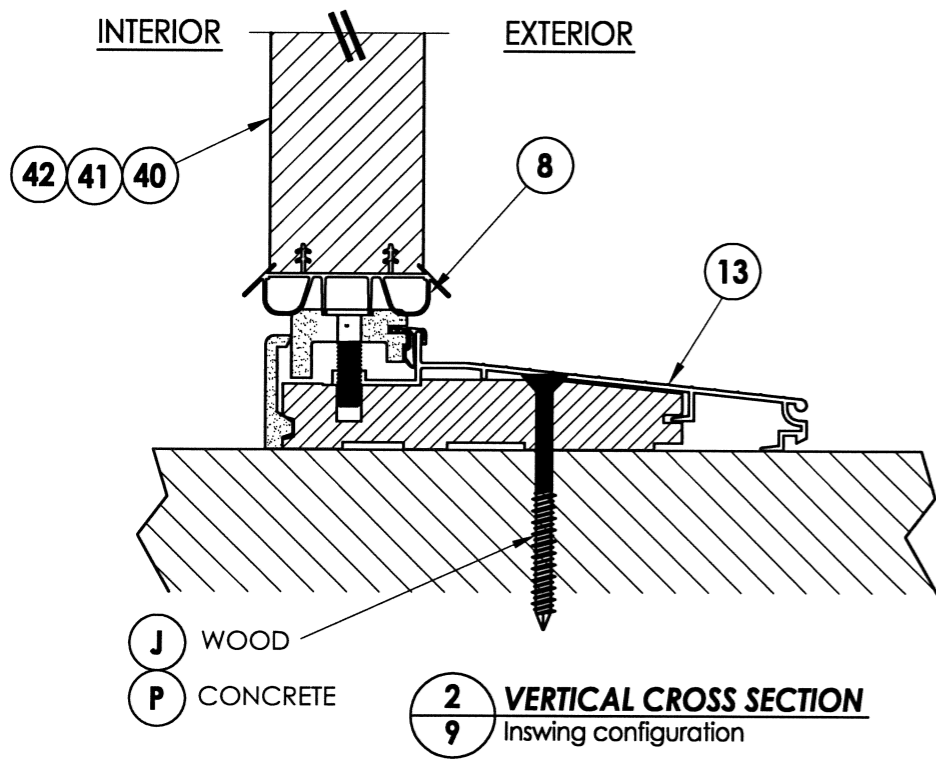
TEXAS BOARD OF PROFESSIONAL ENGINEERS
 CERTIFICATE OF REGISTRATION # F-11852

PRODUCT: THERMA-TRU FIBERGLASS DOOR	
PART OR ASSEMBLY: HORIZONTAL CROSS SECTIONS	
NO.	DATE
BY	REVISIONS
DATE: 10/08/12	
SCALE: N.T.S.	
DWG. BY: JK	
CHK. BY: LFS	
DRAWING NO.: TX-4264	
SHEET 8 OF 12	

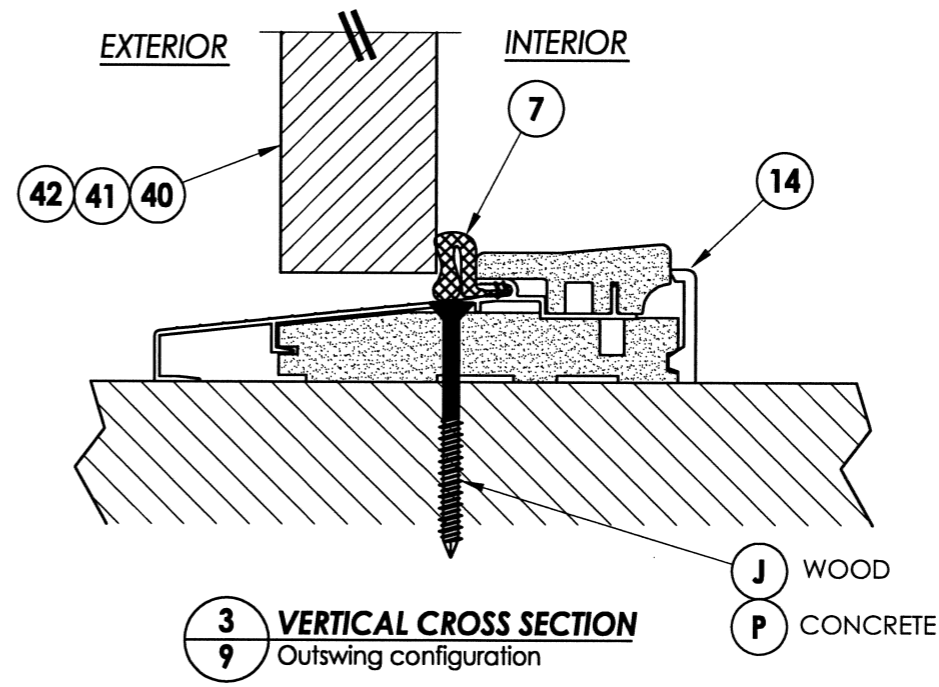
© 2012 R.W. BUILDING CONSULTANTS INC.



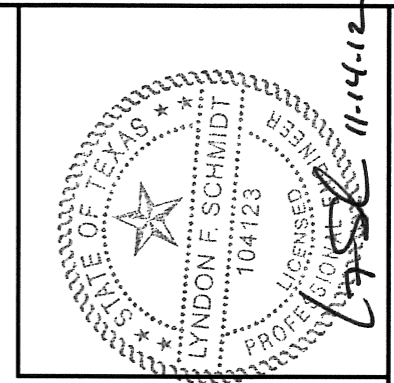
1 VERTICAL CROSS SECTION
 9 Inswing shown - Outswing also approved



2 VERTICAL CROSS SECTION
 9 Inswing configuration



3 VERTICAL CROSS SECTION
 9 Outswing configuration



Documents Prepared By: Lyndon F. Schmidt, P.E.
 TEXAS P.E. #104123

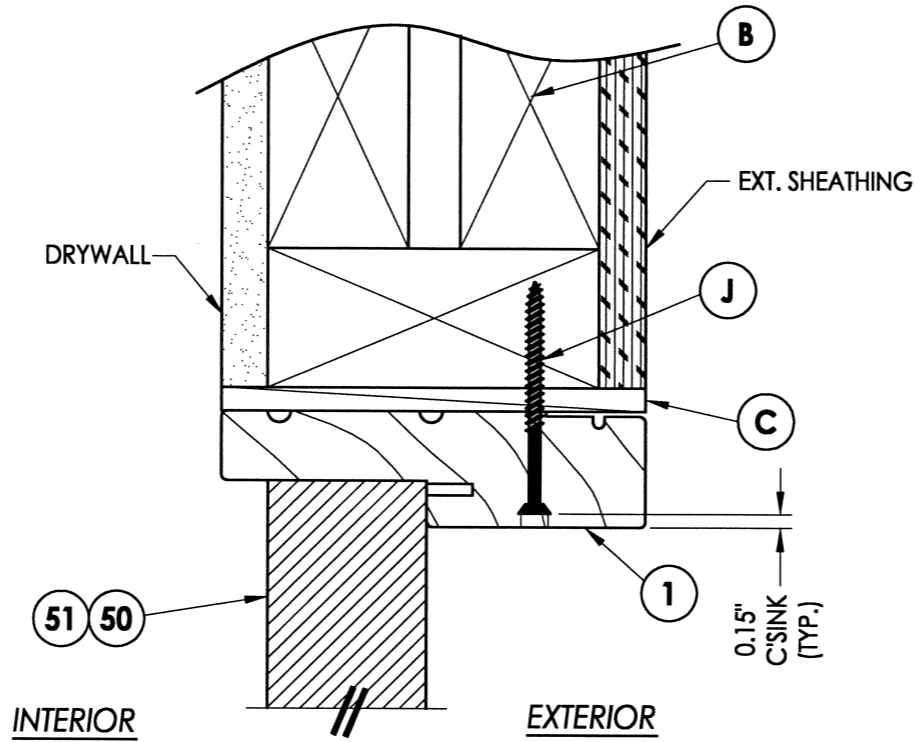
RW BUILDING CONSULTANTS, INC.
 P.O. Box 230 Valrico FL 33595
 Phone No.: 813.659.9197
 TEXAS BOARD OF PROFESSIONAL ENGINEERS
 CERTIFICATE OF REGISTRATION # F-11852

PRODUCT:	THERMA-TRU FIBERGLASS DOOR
PART OR ASSEMBLY:	VERTICAL CROSS SECTIONS

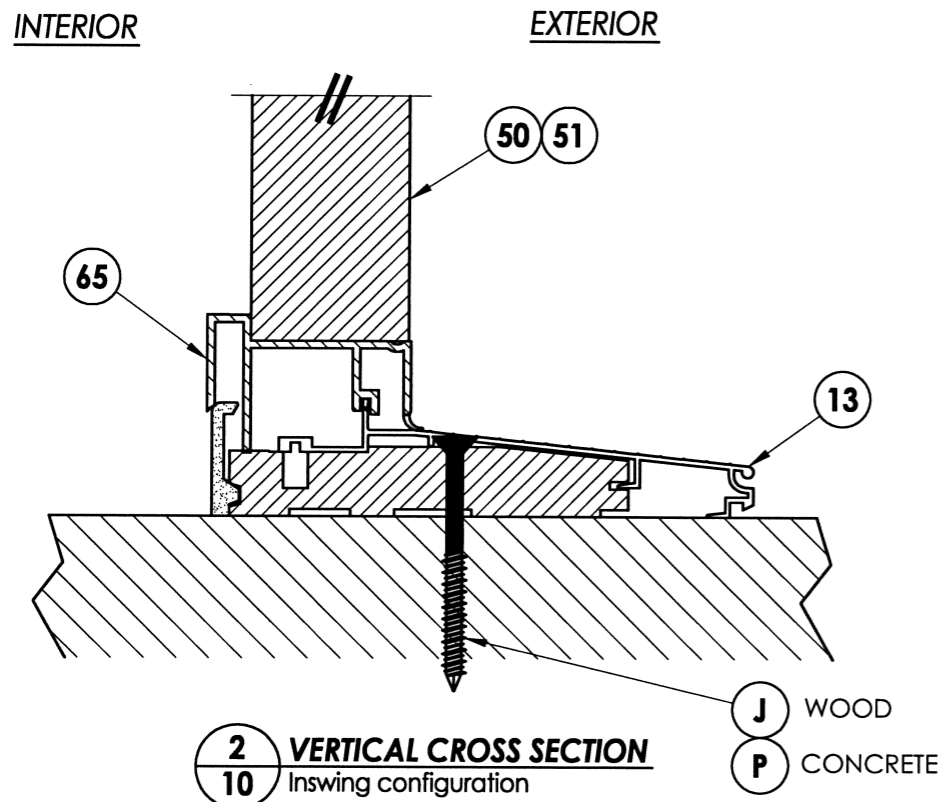
NO.	DATE	BY

DATE:	10/08/12
SCALE:	N.T.S.
DWG. BY:	JK
CHK. BY:	LFS
DRAWING NO.:	TX-4264
SHEET	9 OF 12

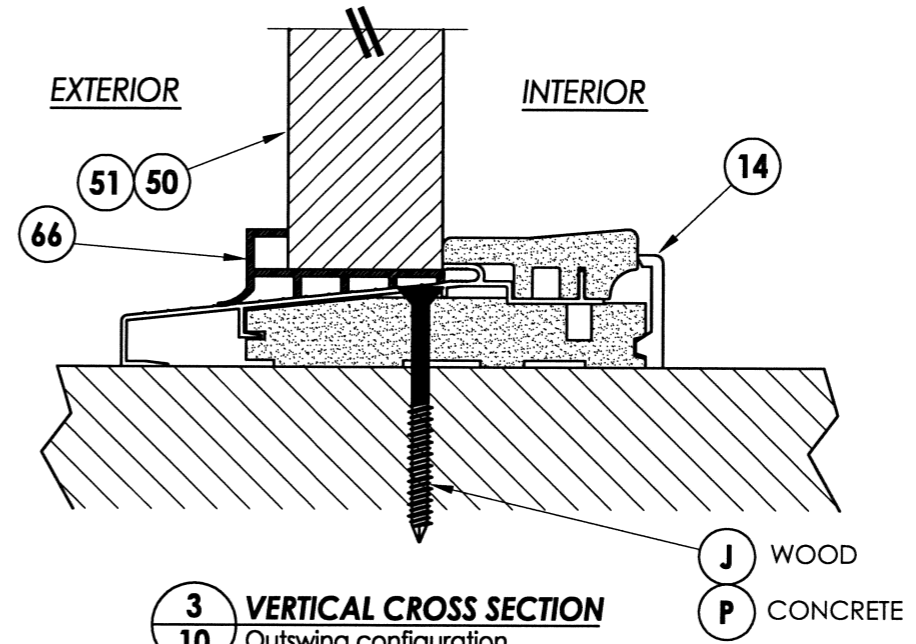
R:\A - Projects\Project Folders\Proj_1601 - 1700\PF_1694\D. RWBC Drawings\Texas 2012\TX-4264-65.dwg, 10



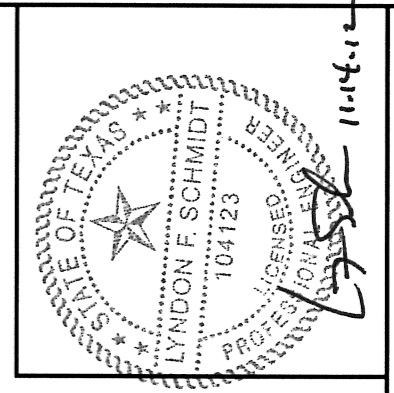
1
10 **VERTICAL CROSS SECTION**
Inswing shown - Outswing also approved



2
10 **VERTICAL CROSS SECTION**
Inswing configuration



3
10 **VERTICAL CROSS SECTION**
Outswing configuration



Documents Prepared By: Lyndon F. Schmidt, P.E.
TEXAS P.E. #104123

RW BUILDING CONSULTANTS, INC.
P.O. Box 230 Vairico FL 33595
Phone No.: 813.659.9197

TEXAS BOARD OF PROFESSIONAL ENGINEERS
CERTIFICATE OF REGISTRATION # F-11852

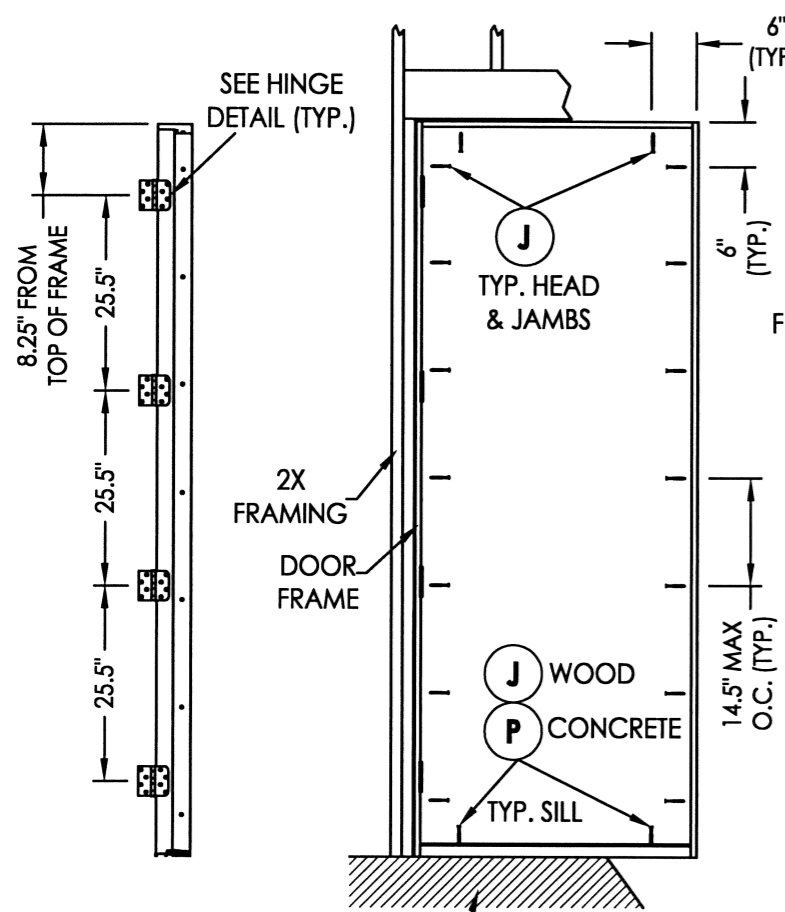
PRODUCT: THERMA-TRU
FIBERGLASS DOOR

PART OR ASSEMBLY:
VERTICAL CROSS SECTIONS

NO.	DATE	BY	REVISIONS

DATE: 10/08/12
SCALE: N.T.S.
DWG. BY: JK
CHK. BY: LFS
DRAWING NO.: TX-4264
SHEET 10 OF 12

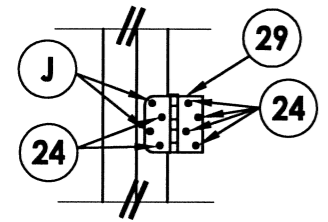
2X FRAMING TO BE DESIGNED BY THE ENGINEER OR ARCHITECT OF RECORD BASED ON WIND LOADS AND THE CLADDING BEING USED (TYP.).



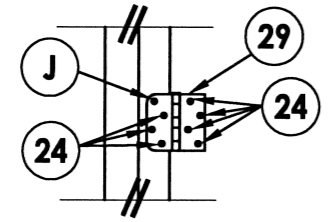
HINGE JAMB

FLOOR SUBSTRATE MATERIAL (TYP.)
 CONCRETE (MIN. 3000 PSI)
 WOOD (S.G. >= 0.42)

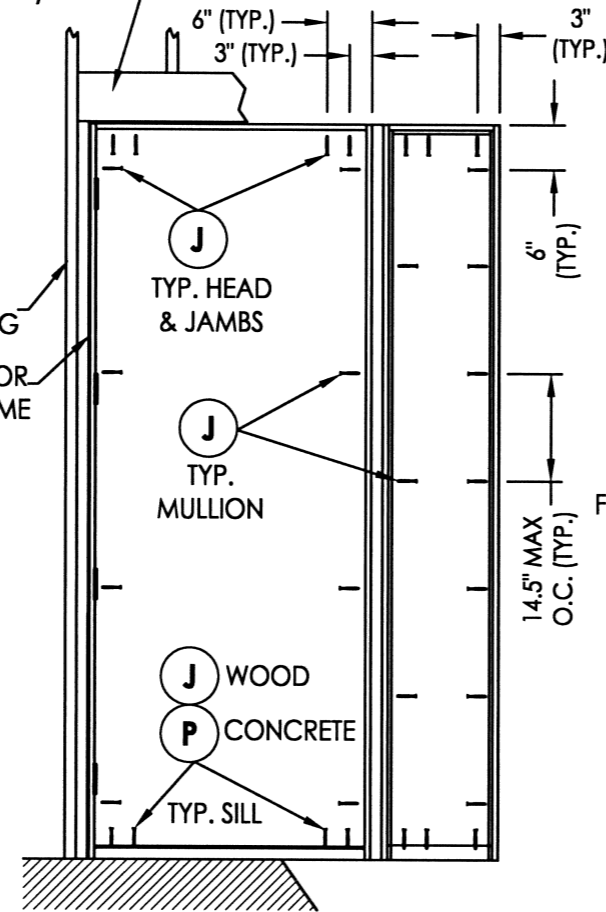
FRAME ANCHORING
X



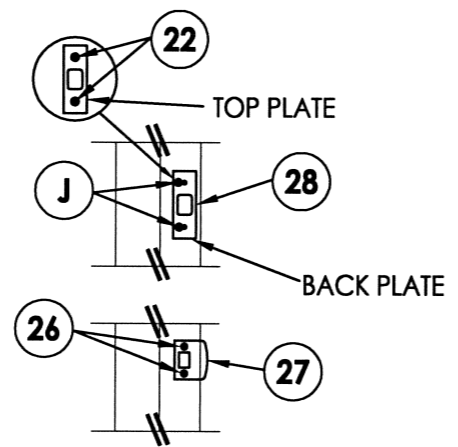
HINGE DETAIL
Inswing



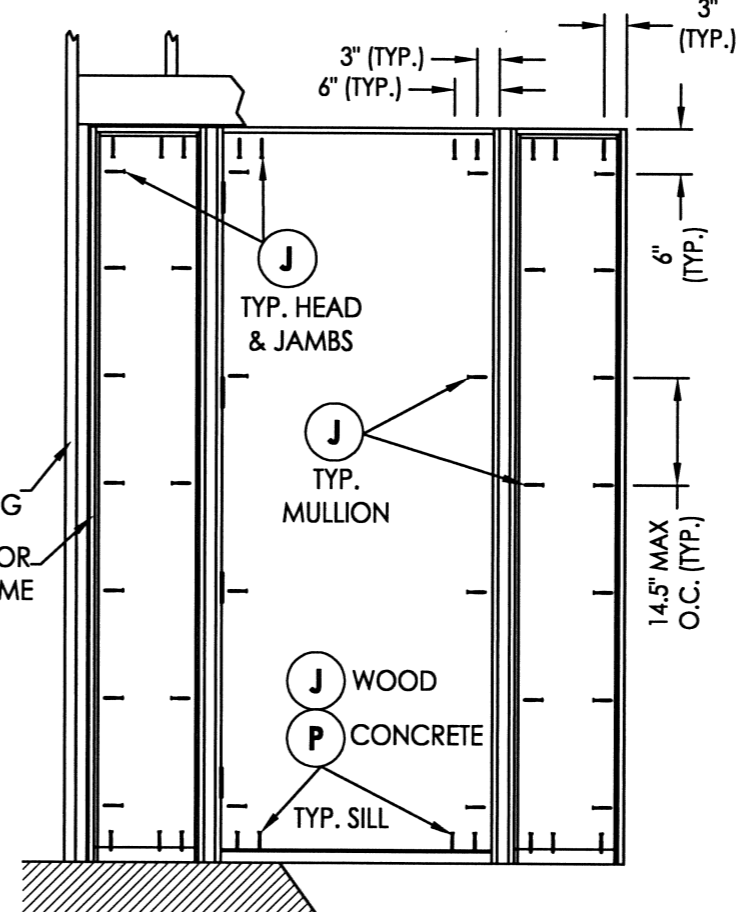
HINGE DETAIL
Outswing



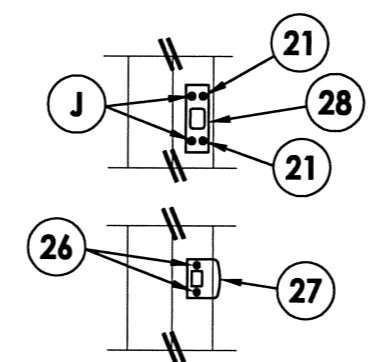
FRAME ANCHORING
XO / OX



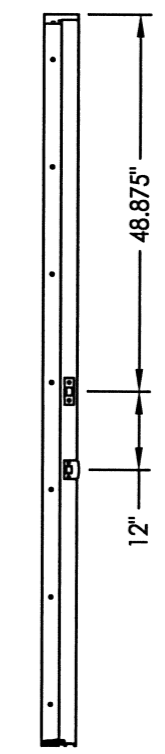
LATCH & DEADBOLT STRIKE DETAIL
Schlage Hardware - Standard Strike



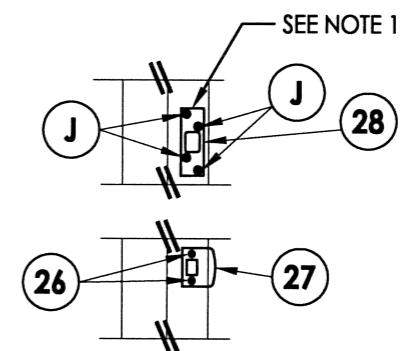
FRAME ANCHORING
OXO



LATCH & DEADBOLT STRIKE DETAIL
Kwikset Hardware - Standard Strike

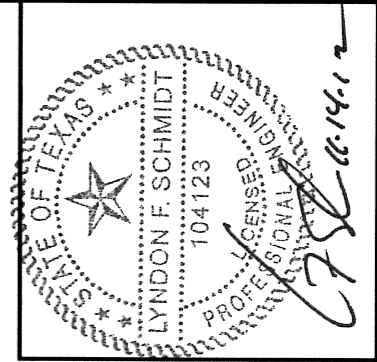


STRIKE JAMB



LATCH & DEADBOLT STRIKE DETAIL
Kwikset Hardware - Security Strike

NOTE:
 1. Security Strike required when Positive DP > 40 PSF.



Documents Prepared By: Lyndon F. Schmidt, P.E.
 TEXAS P.E. #104123

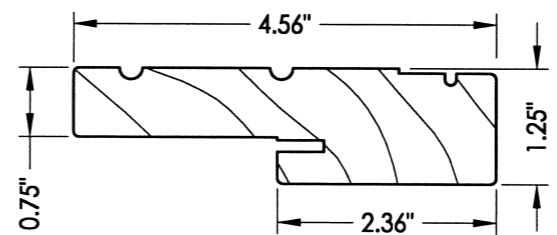
RW BUILDING CONSULTANTS, INC.
 P.O. Box 230 Valrico FL 33595
 Phone No.: 813.659.9197

TEXAS BOARD OF PROFESSIONAL ENGINEERS
 CERTIFICATE OF REGISTRATION # F-11852

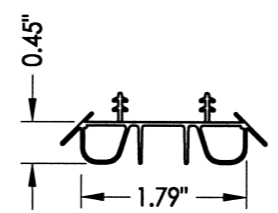
PRODUCT:	THERMA-TRU FIBERGLASS DOOR	
PART OR ASSEMBLY:	FRAME ANCHORING	
NO.	DATE	BY
		REVISIONS
DATE:	10/08/12	
SCALE:	N.T.S.	
DWG. BY:	JK	
CHK. BY:	LFS	
DRAWING NO.:	TX-4264	
SHEET	11 OF 12	

R:\A - Projects\Project Folders\Proj 1601 - 1700\PF 1694\DWG\RWBC Drawings\Texas 2012\TX-4264-65.dwg, 12

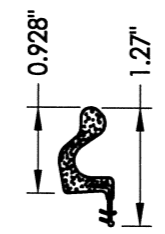
BILL OF MATERIALS		
ITEM #	DESCRIPTION	MATERIAL
B	2X BUCK (G >= 0.42)	WOOD
C	1/4" MAX. SHIM SPACE	-
J	#10 X 2-1/2" PFH WOOD SCREW (MIN. EMB. = 1.15" HEAD/JAMBS, 1-1/2" SILL)	STEEL
M	#10 X 2" PFH WOOD SCREW	STEEL
P	1/4" PFH ELCO OR ITW CONCRETE SCREW (1-3/4" MIN. EMB.)	STEEL
1	JAMB - FINGER JOINTED PINE	WOOD
7	WEATHERSTRIP (Long Reach by Therma-Tru)	FOAM
8	SWEEP	VINYL
9	WEATHERSTRIP (Medium Reach by Therma-Tru)	FOAM
13	INSWING THRESHOLD	ALUM/COMP
14	OUTSWING THRESHOLD	ALUM/COMP
21	#8 X 5/8" PFH WOOD SCREW	STEEL
22	10-32 X 3/8" PFH MACHINE SCREW	STEEL
24	#10 x 1" PFH WOOD SCREW	STEEL
26	#8 x 2" PFH WOOD SCREW	STEEL
27	LATCH STRIKE PLATE	STEEL
28	DEADBOLT STRIKE PLATE	STEEL
29	4" X 4" HINGE	STEEL
40	DOOR PANEL (SMOOTH STAR/FIBER CLASSIC)	-
41	DOOR PANEL (SMOOTH STAR/FIBER CLASSIC)	-
42	DOOR PANEL (CLASSIC CRAFT)	-
50	SIDELITE PANEL (SMOOTH STAR/FIBER CLASSIC)	-
51	SIDELITE PANEL (CLASSIC CRAFT)	-
65	INSWING SIDELITE ADAPTER	PVC
66	OUTSWING SIDELITE ADAPTER	PVC
68	2X MULLION (G >= 0.55)	WOOD



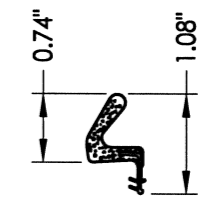
1 WOOD JAMB



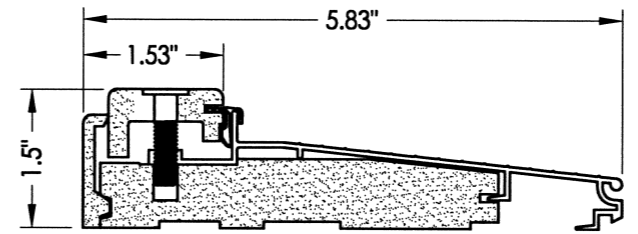
8 SWEEP



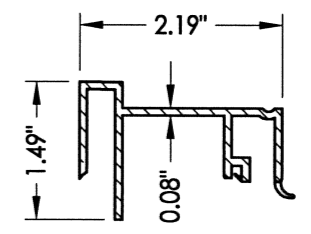
7 WEATHERSTRIP Long Reach



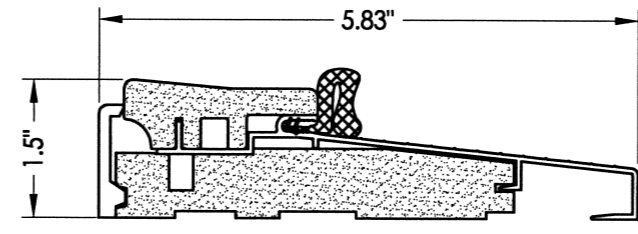
9 WEATHERSTRIP Medium Reach



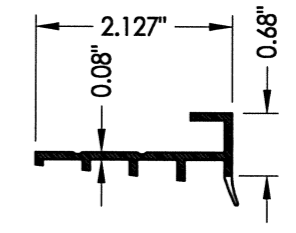
13 INSWING THRESHOLD



65 INSWING SIDELITE ADAPTER



14 OUTSWING THRESHOLD

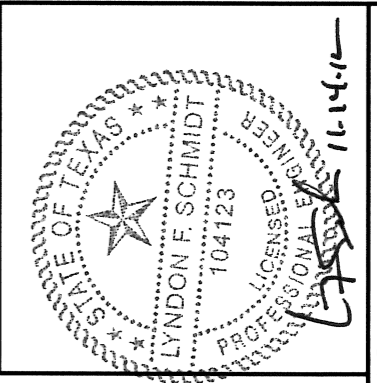


66 OUTSWING SIDELITE ADAPTER

CONCRETE ANCHOR NOTES:

- Concrete anchor locations at the corners may be adjusted to maintain the min. edge distance to mortar joints.
- Concrete anchor locations noted as "MAX. ON CENTER" must be adjusted to maintain the min. edge distance to mortar joints, additional concrete anchors may be required to ensure the "MAX. ON CENTER" dimension are not exceeded.
- Concrete anchor table:

ANCHOR TYPE	ANCHOR SIZE	MIN. EMBEDMENT	MIN. CLEARANCE TO MASONRY EDGE	MIN. CLEARANCE TO ADJACENT ANCHOR
ITW TAPCON®	1/4"	1-3/4"	2-1/2"	3"
ELCO ULTRACON®	1/4"	1-3/4"	1"	3"



Documents Prepared By: Lyndon F. Schmidt, P.E. TEXAS P.E. #104123

RW BUILDING CONSULTANTS, INC.
P.O. Box 230 Valrico FL 33595
Phone No.: 813.659.9197
TEXAS BOARD OF PROFESSIONAL ENGINEERS
CERTIFICATE OF REGISTRATION # F-11852

PRODUCT: THERMA-TRU FIBERGLASS DOOR
PART OR ASSEMBLY: BILL OF MATERIALS & COMPONENTS

NO.	DATE	BY	REVISIONS

DATE: 10/08/12
SCALE: N.T.S.
DWG. BY: JK
CHK. BY: LFS
DRAWING NO.: TX-4264
SHEET 12 OF 12