

### "Profiles" Series

## Opaque "Impact" Steel Doors w/ or w/o "Non-Impact" Sidelites

### IN SWING / OUT SWING

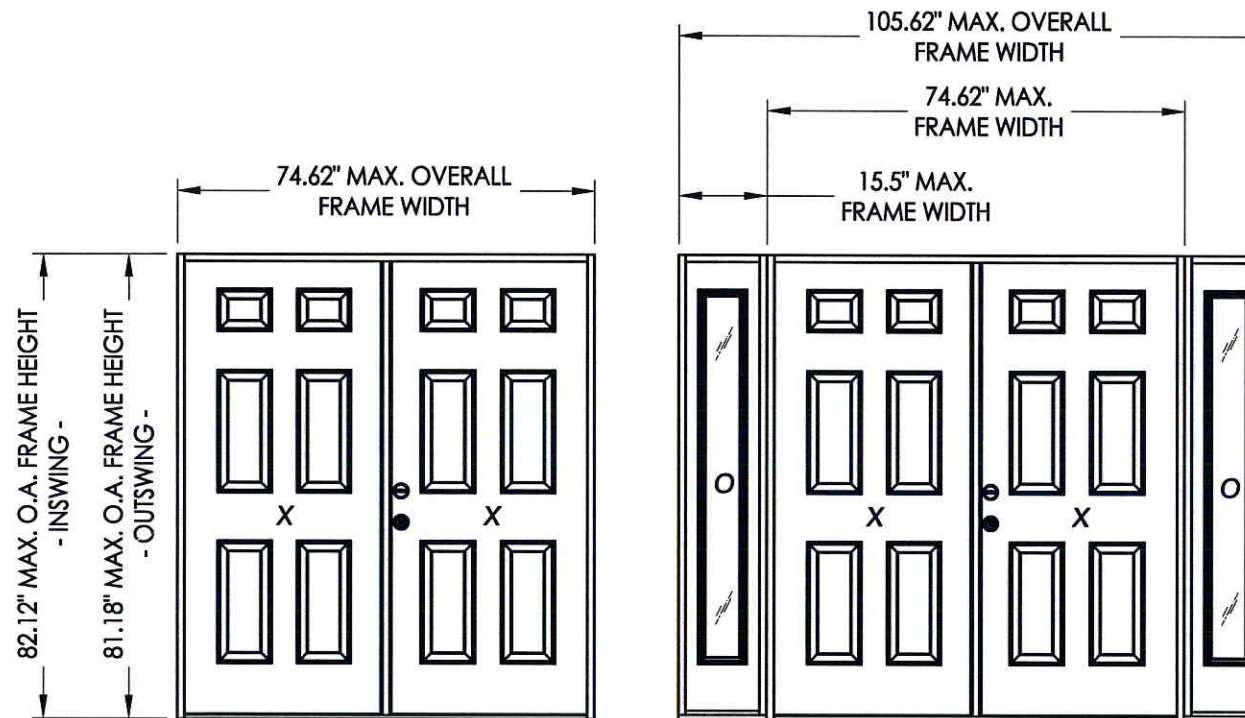
**EVALUATED FOR USE IN THE STATE OF TEXAS**

The Therma-Tru STEEL DOOR described herein complies with the 2006 International Residential Code (IRC), Sections R301 & R613 and the 2006 International Building Code (IBC), Sections 1405.12, 1609, 1714.5, 2403 and 2404 (including Texas revisions) subject to the following conditions:

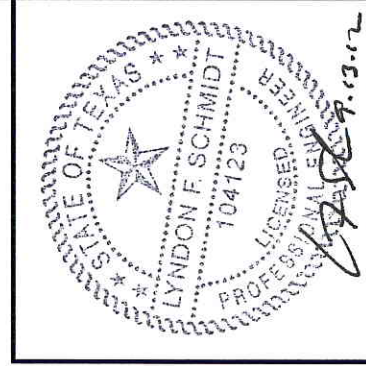
1. Anchors shall be as listed and spaced as shown in the details. Anchor embedment to base material shall be beyond wall dressing or stucco.
2. When used in areas requiring wind-borne debris protection, the opaque doors do not require impact protection while the sidelites are required to be protected with an impact resistant covering that complies with Section R301.2.1.2 of the IRC and Section 1609.1.2 of the IBC.
3. Allowable design pressure requirements must be equal to or less than the design pressure rating shown in the design pressure chart, sheet 1 of this drawing.
4. Conditions not covered by this drawing are subject to further engineering analysis.

**TABLE OF CONTENTS**

SHEET #	DESCRIPTION
1	Typical elevations, design pressures & general notes
2	Door panel details
3	Sidelite panel details and glazing detail
4	Elevations
5	Horizontal cross section
6	Vertical cross sections
7	Vertical cross sections
8	Frame anchoring
9	Astragal details
10	Bill of materials and components



CONFIGURATION	MAX. FRAME DIMENSION	MAX. D.L.O. DIMENSION	SWING	DESIGN PRESSURE (PSF)	
				POSITIVE	NEGATIVE
XX	74.62" x 82.12"	N/A	IN SWING	+50.0	-55.0
	74.62" x 81.18"		OUT SWING	+50.0	-50.0
OXXO	105.62" x 82.12"	6.00" x 63.00"	IN SWING	+50.0	-55.0
	105.62" x 81.18"		OUT SWING	+50.0	-50.0



Documents Prepared By: Lyndon F. Schmidt, P.E.  
TEXAS P.E. #104123

**RW** BUILDING CONSULTANTS, INC.  
P.O. Box 230 Vairico FL 33595  
Phone No.: 813.659.8197

TEXAS BOARD OF PROFESSIONAL ENGINEERS  
CERTIFICATE OF REGISTRATION # F-11852

PRODUCT: THERMA-TRU STEEL DOOR

PART OR ASSEMBLY: TYPICAL ELEVATION, DESIGN PRESSURES & GENERAL NOTES

NO.	DATE	BY	REVISIONS

DATE: 08/16/12

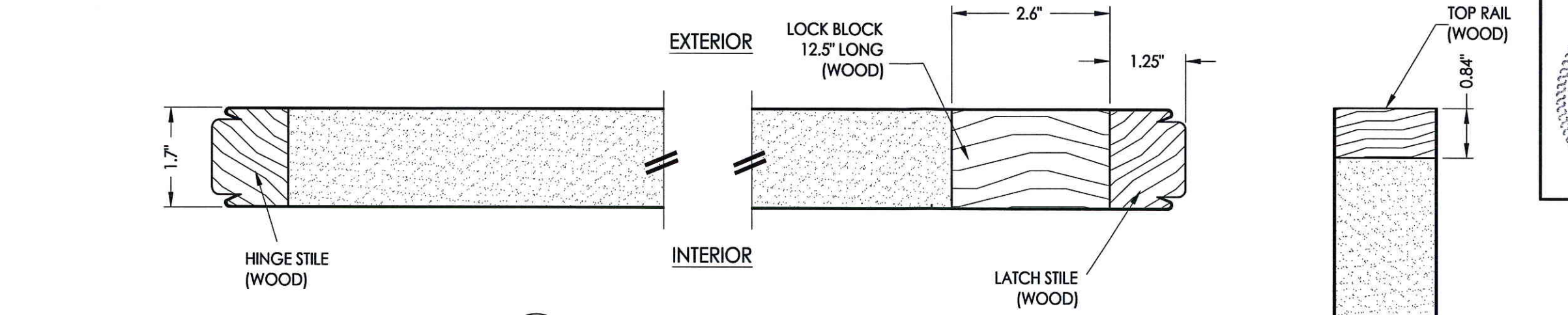
SCALE: N.T.S.

DWG. BY: JK

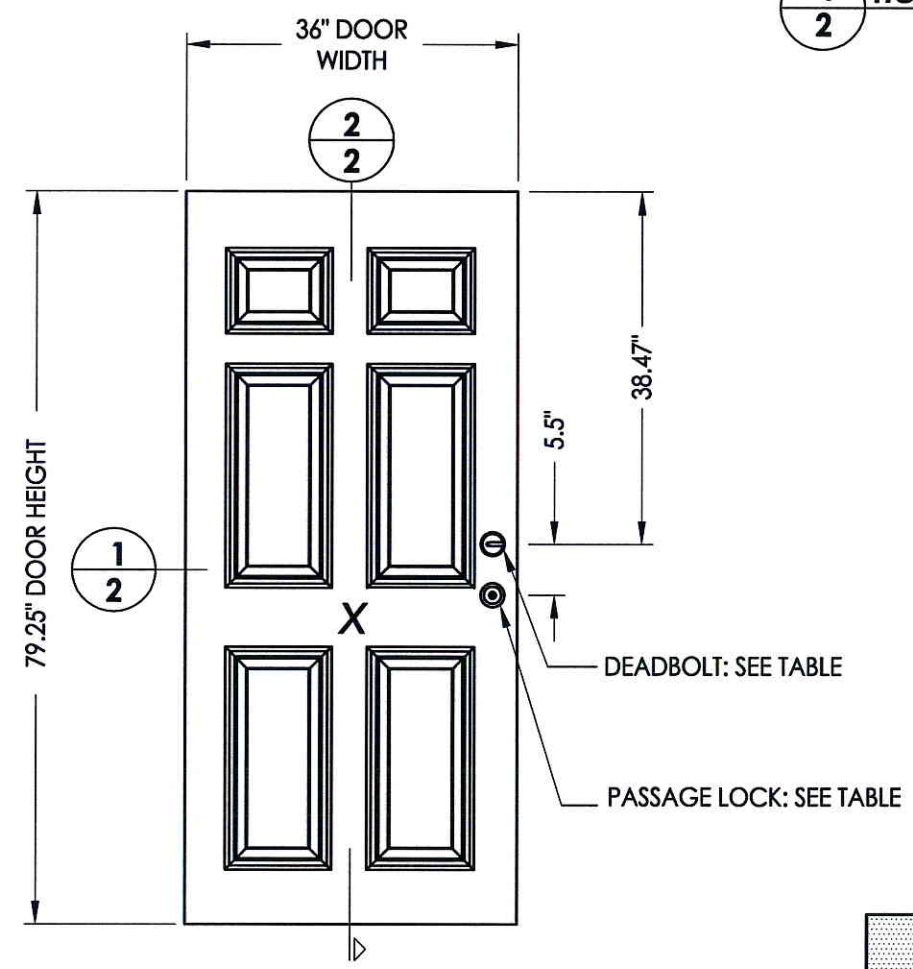
CHK. BY: LFS

DRAWING NO.: TX-4229

SHEET 1 OF 10

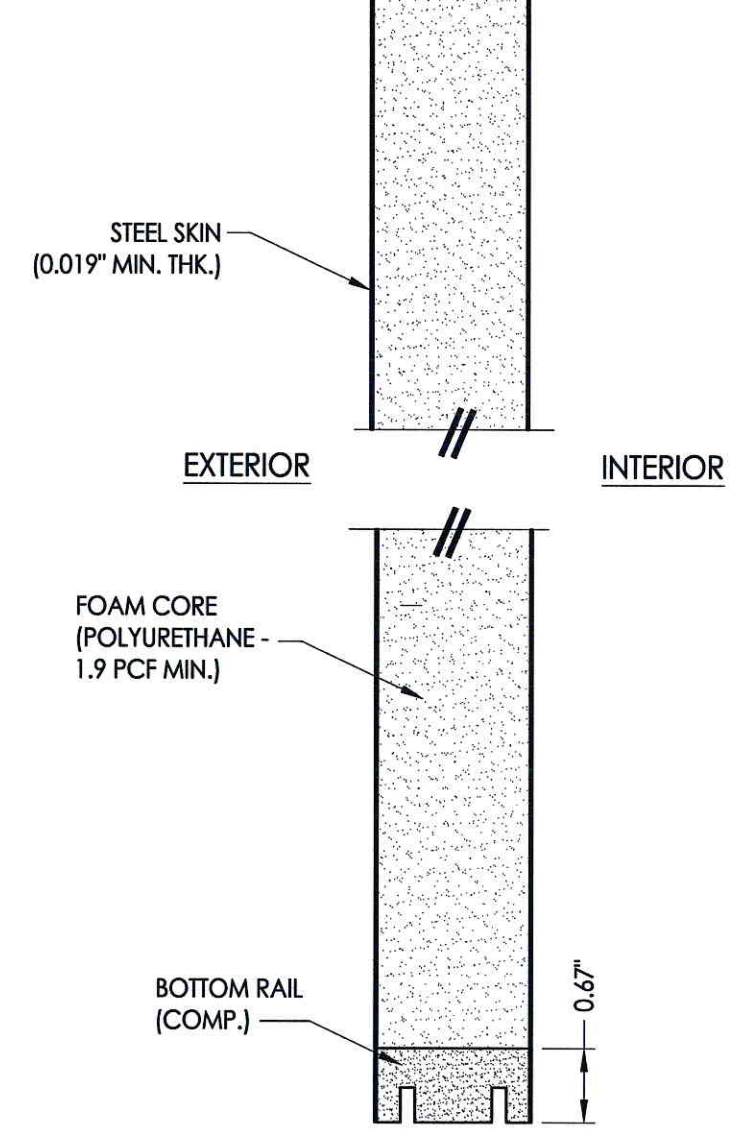


**1**  
**2** HORIZONTAL CROSS SECTION

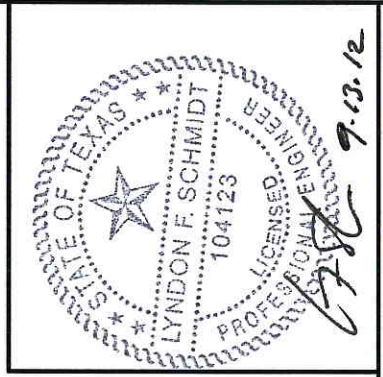


**40** DOOR PANEL  
"Profiles" Series

HARDWARE TABLE		
MANUFACTURER	MODEL	
KWIKSET	KNOB:	SIGNATURE SERIES
	DEADBOLT:	SIGNATURE SERIES (780)
SCHLAGE	KNOB:	"F" SERIES (F10)
	DEADBOLT:	"B" SERIES (B60/62)



**2**  
**2** VERTICAL CROSS SECTION



Documents Prepared By: Lyndon F. Schmidt, P.E.  
TEXAS P.E. #104123

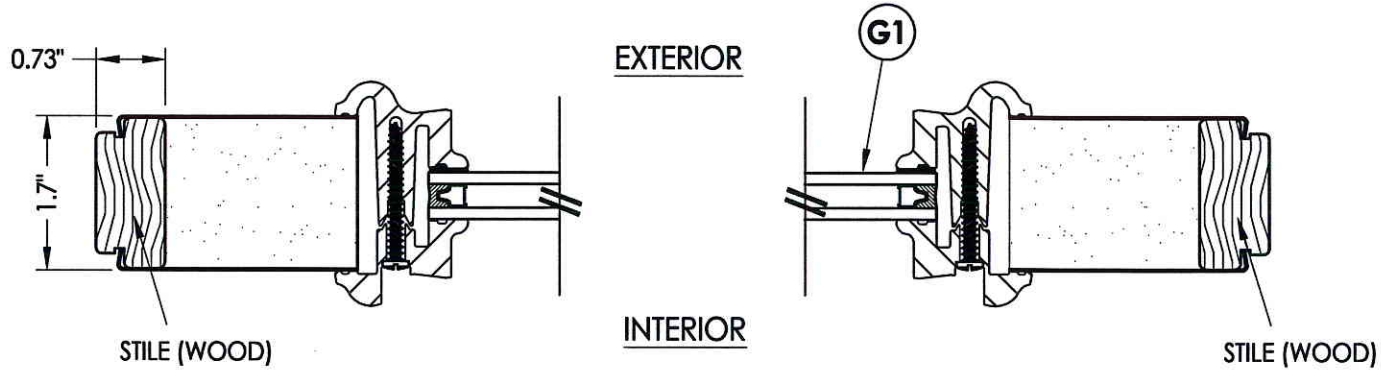
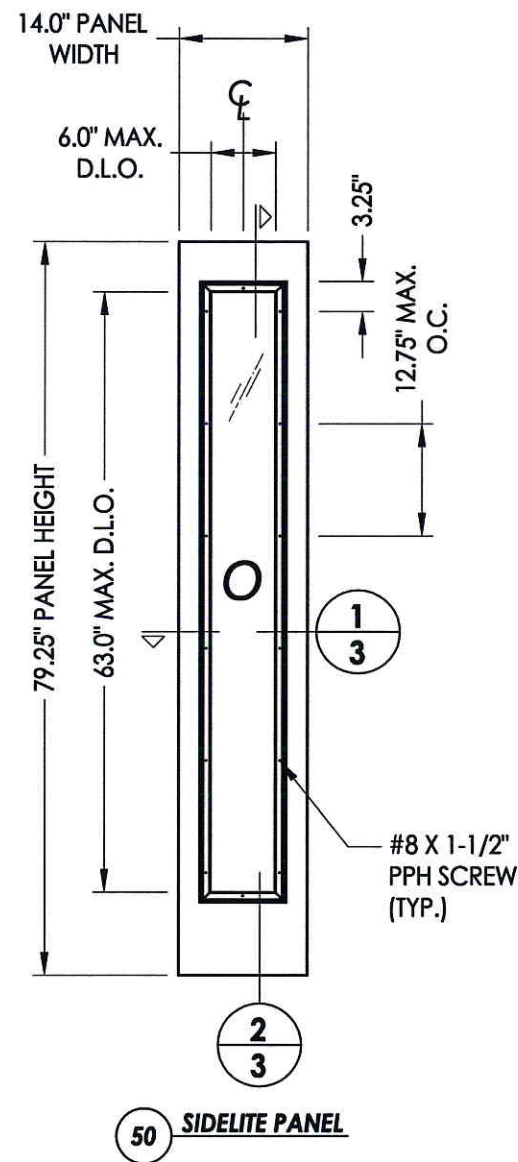
**RW** BUILDING CONSULTANTS, INC.  
P.O. Box 230 Vairico FL 33595  
Phone No.: 813.659.9197

TEXAS BOARD OF PROFESSIONAL ENGINEERS  
CERTIFICATE OF REGISTRATION # F-11852

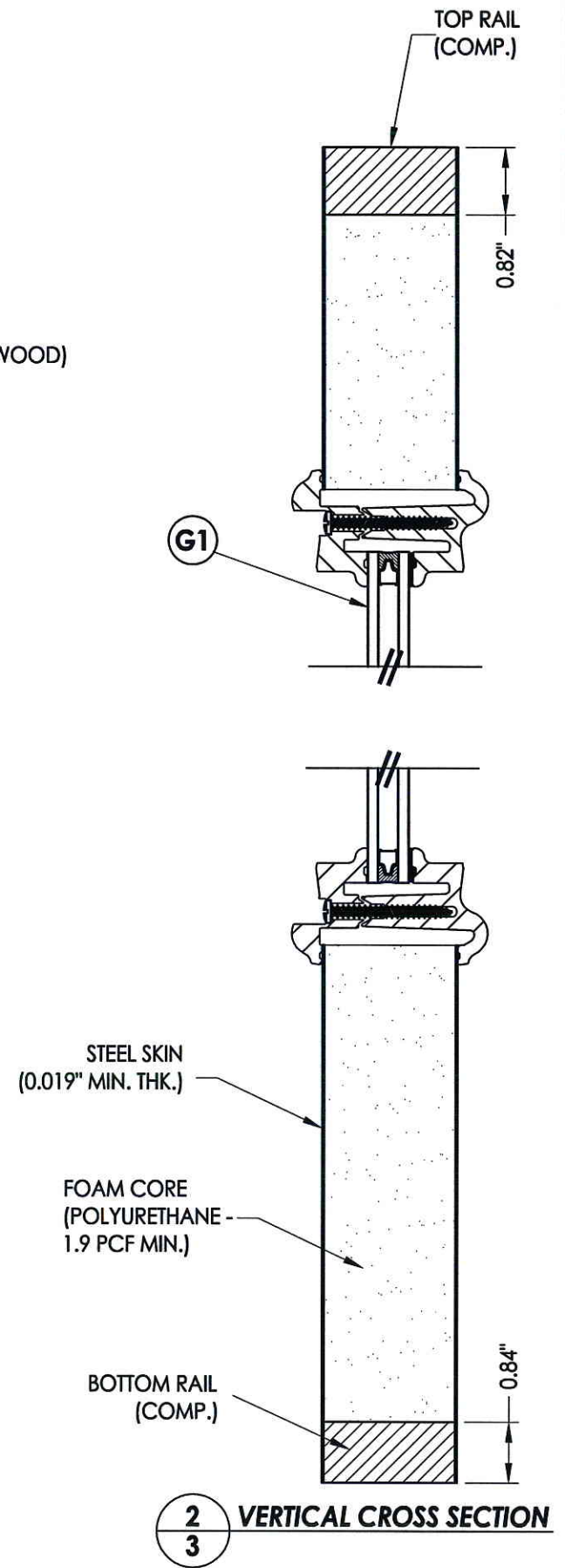
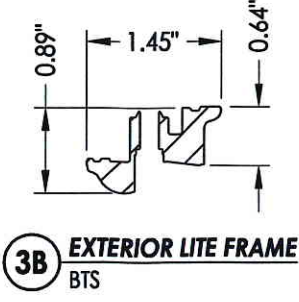
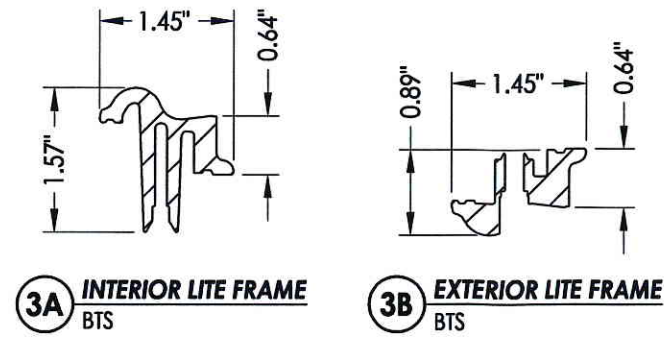
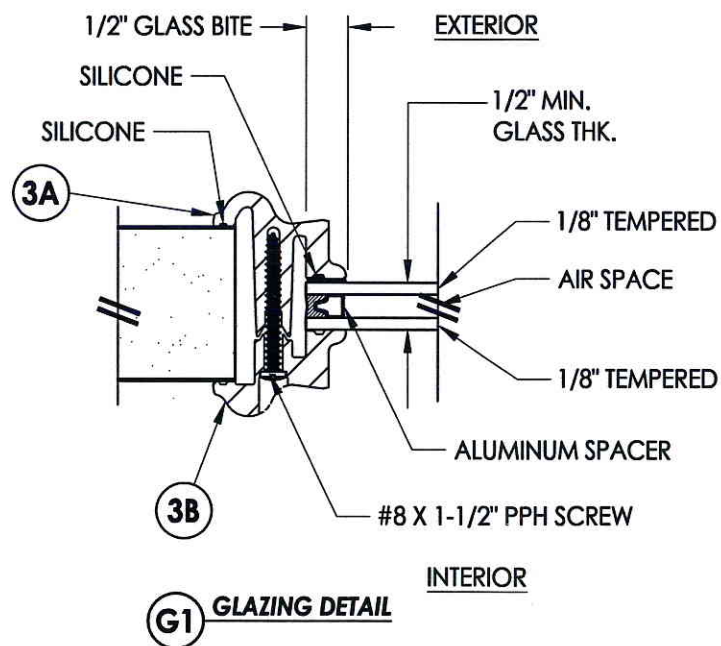
PRODUCT: THERMA-TRU STEEL DOOR  
PART OR ASSEMBLY: DOOR PANEL DETAILS

NO.	DATE	BY	REVISIONS

DATE: 08/16/12  
SCALE: N.T.S.  
DWG. BY: JK  
CHK. BY: LFS  
DRAWING NO.: TX-4229  
SHEET 2 OF 10



**1**  
**3** HORIZONTAL CROSS SECTION



**2**  
**3** VERTICAL CROSS SECTION



Documents Prepared By: Lyndon F. Schmidt, P.E.  
TEXAS P.E. #104123

**RW** BUILDING CONSULTANTS, INC.  
P.O. Box 230 Valrico FL 33595  
Phone No.: 813.659.9197

TEXAS BOARD OF PROFESSIONAL ENGINEERS  
CERTIFICATE OF REGISTRATION # F-11852

PRODUCT: THERMA-TRU STEEL DOOR

PART OR ASSEMBLY: SIDELITE PANEL DETAILS AND GLAZING DETAIL

NO.	DATE	BY	REVISIONS

DATE: 08/16/12

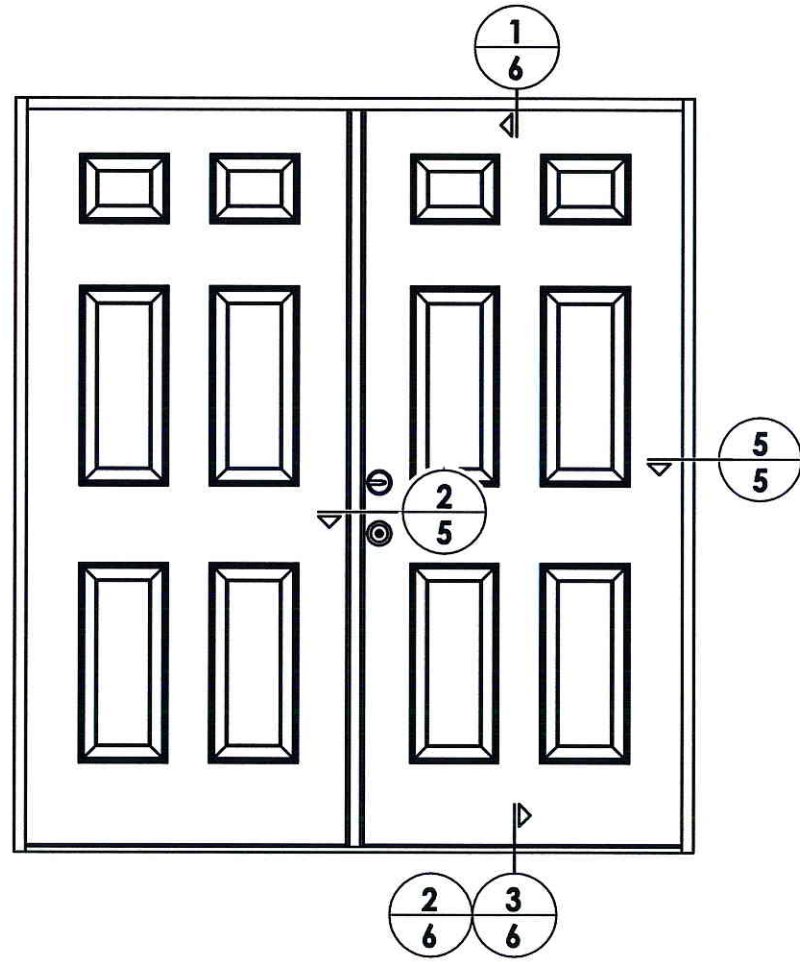
SCALE: N.T.S.

DWG. BY: JK

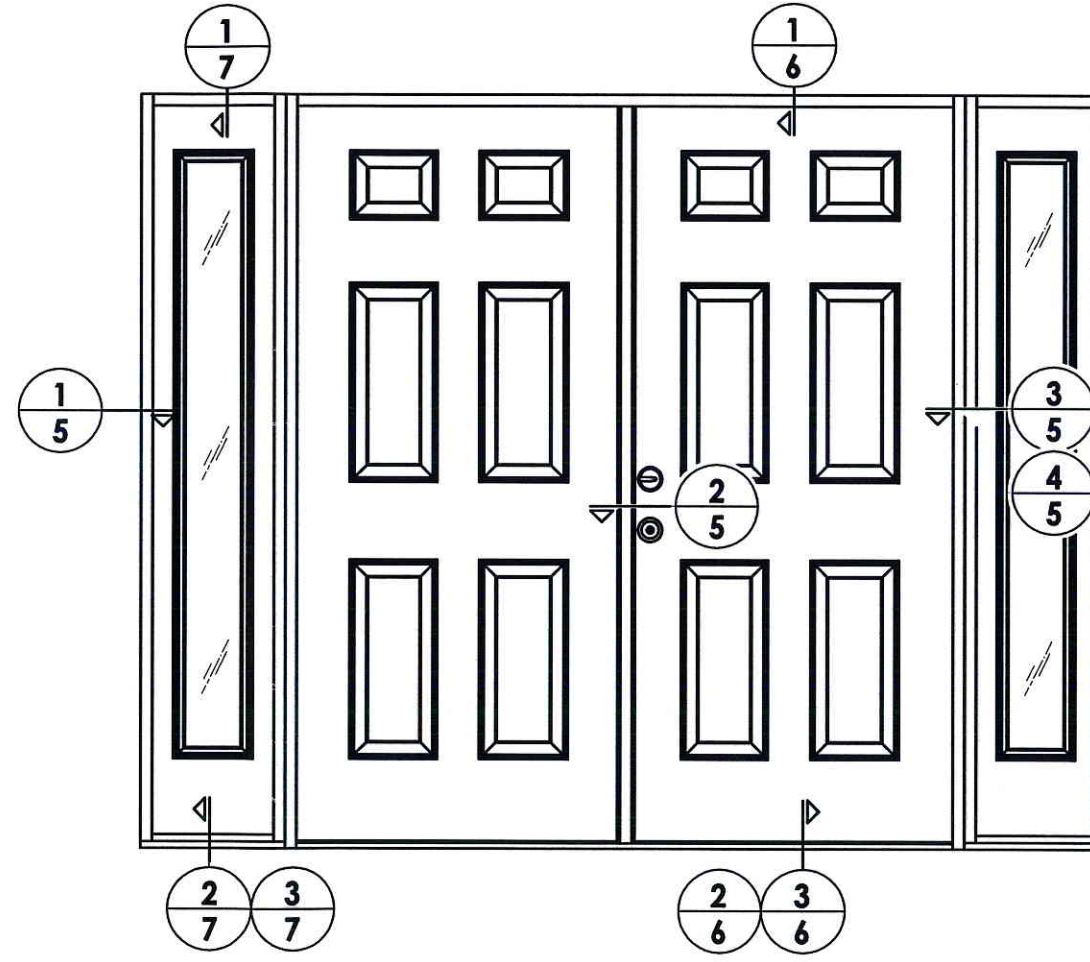
CHK. BY: LFS

DRAWING NO.: TX-4229

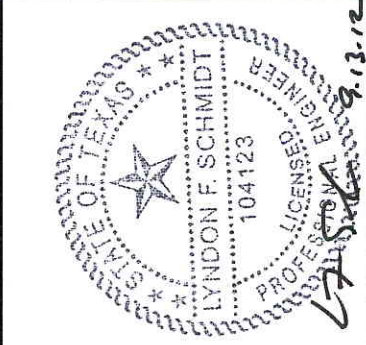
SHEET 3 OF 10



ELEVATION (XX)



ELEVATION (OXXO)

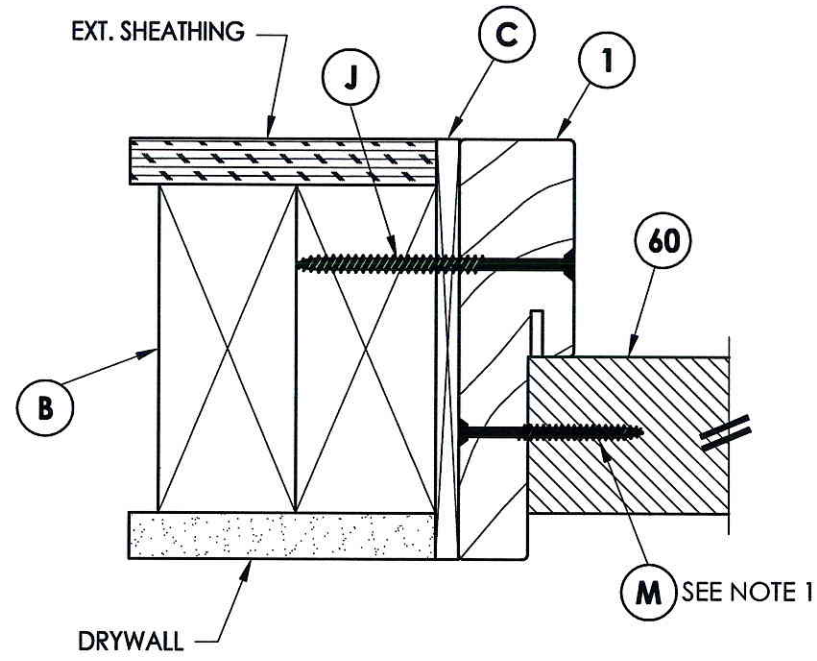


Documents Prepared By: Lyndon F. Schmidt, P.E.  
TEXAS P.E. #104123

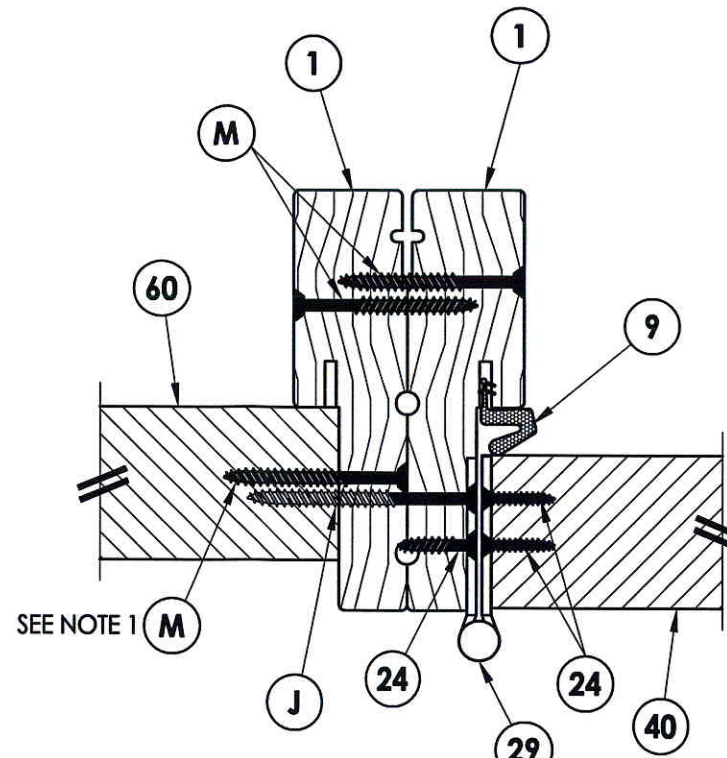
**RW** BUILDING CONSULTANTS, INC.  
P.O. Box 230 Vairico FL. 33595  
Phone No.: 813.659.9197

TEXAS BOARD OF PROFESSIONAL ENGINEERS  
CERTIFICATE OF REGISTRATION # F-11852

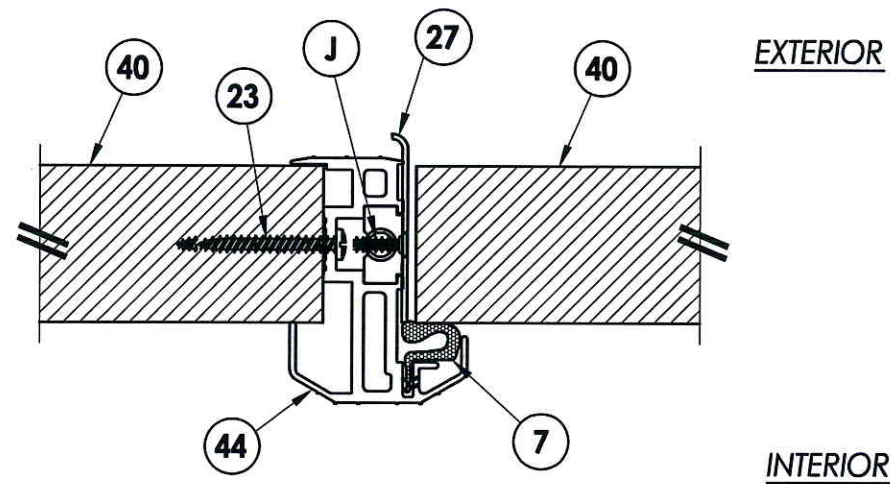
PRODUCT: THERMA-TRU STEEL DOOR		PART OR ASSEMBLY: ELEVATIONS	
DATE: 08/16/12		SCALE: N.T.S.	
DWG. BY: JK		CHK. BY: LFS	
DRAWING NO.: TX-4229		NO. DATE	
SHEET 4 OF 10		REVISIONS	
		BY	



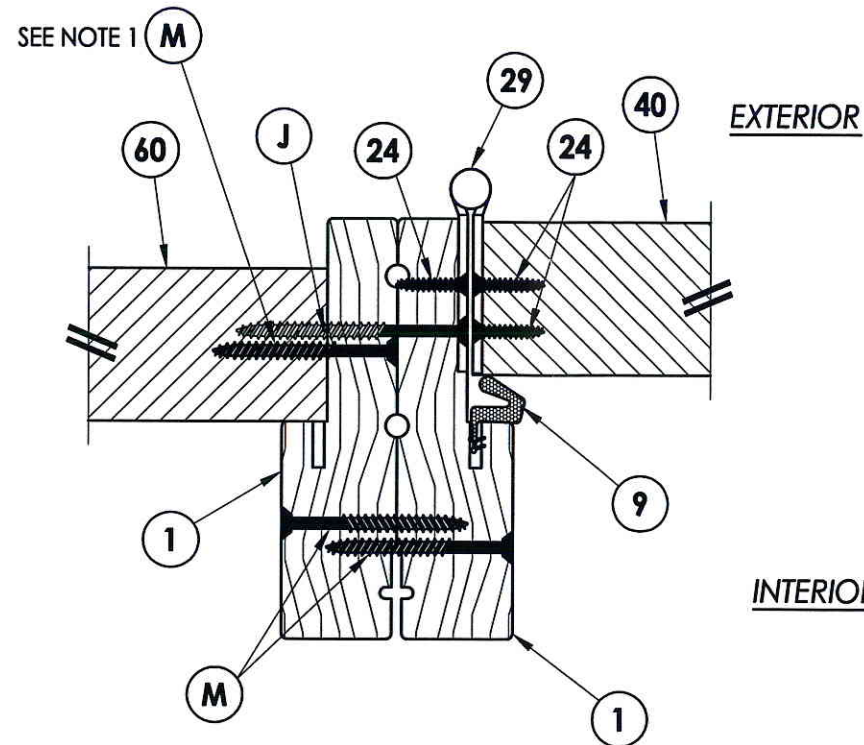
**1** HORIZONTAL CROSS SECTION  
**5** Inswing shown - Outswing also approved



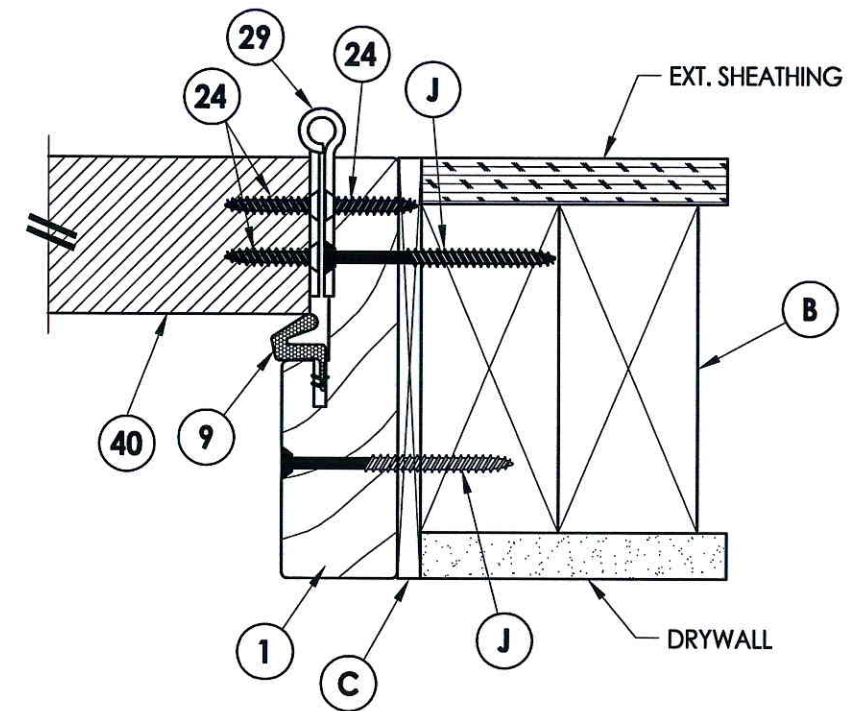
**3** HORIZONTAL CROSS SECTION  
**5** Inswing shown



**2** HORIZONTAL CROSS SECTION  
**5** Outswing shown - Inswing also approved

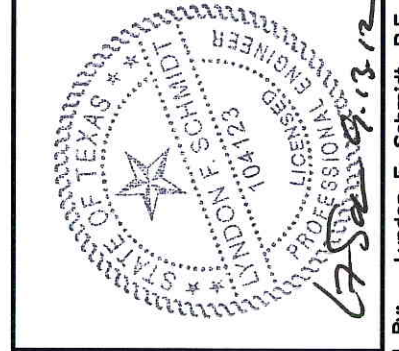


**4** HORIZONTAL CROSS SECTION  
**5** Outswing shown



**5** HORIZONTAL CROSS SECTION  
**5** Outswing shown - Inswing also approved

Note:  
1. Sidelite assembly screws located 6" from each end plus 4 more equally spaced (6 total).



Documents Prepared By: Lyndon F. Schmidt, P.E.  
TEXAS P.E. #104123

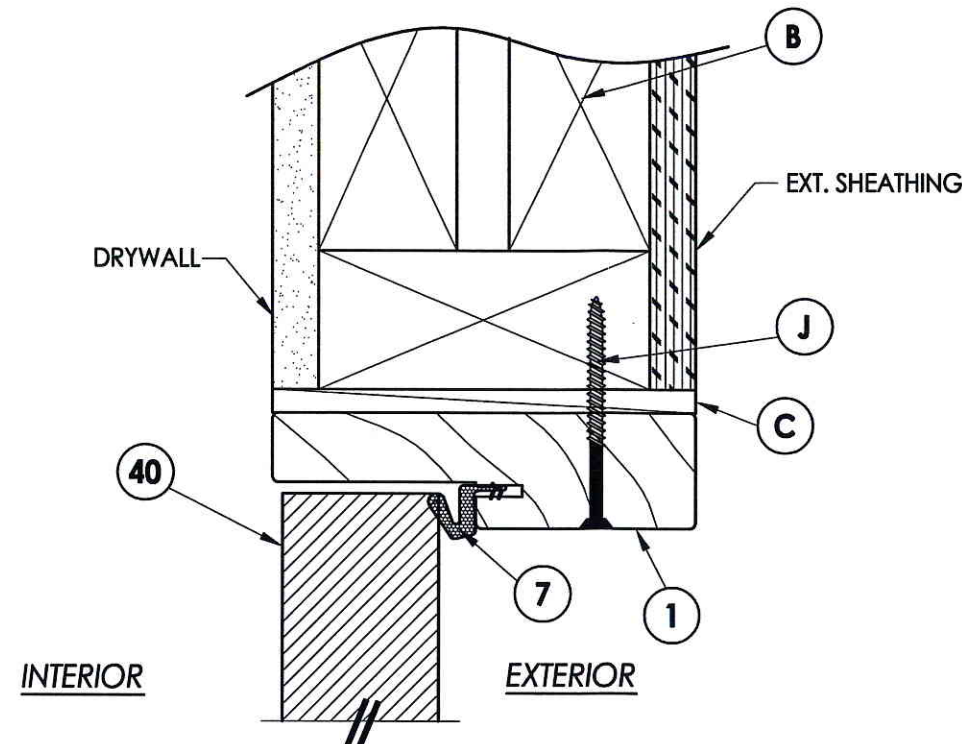
**R.W.** BUILDING CONSULTANTS, INC.  
P.O. Box 230 Valrico FL 33595  
Phone No.: 813.659.9197

TEXAS BOARD OF PROFESSIONAL ENGINEERS  
CERTIFICATE OF REGISTRATION # F-11852

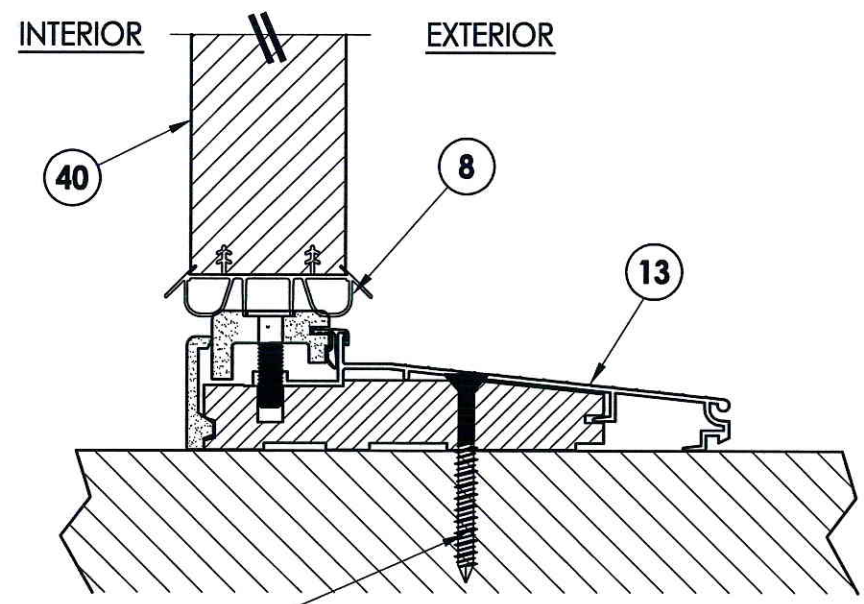
PRODUCT: THERMA-TRU STEEL DOOR  
PART OR ASSEMBLY: HORIZONTAL CROSS SECTIONS

NO.	DATE	REVISIONS	BY

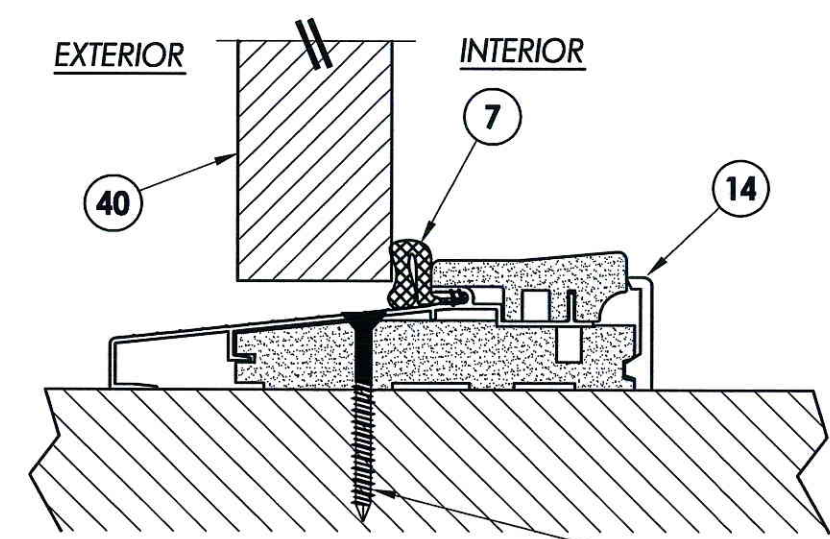
DATE: 08/16/12  
SCALE: N.T.S.  
DWG. BY: JK  
CHK. BY: LFS  
DRAWING NO.: TX-4229  
SHEET 5 OF 10



1 **VERTICAL CROSS SECTION**  
6 Inswing shown - Outswing also approved



J WOOD  
P CONCRETE  
2 **VERTICAL CROSS SECTION**  
6 Inswing configuration



J WOOD  
P CONCRETE  
3 **VERTICAL CROSS SECTION**  
6 Outswing configuration (X Only)



Documents Prepared By: Lyndon F. Schmidt, P.E.  
TEXAS P.E. #104123

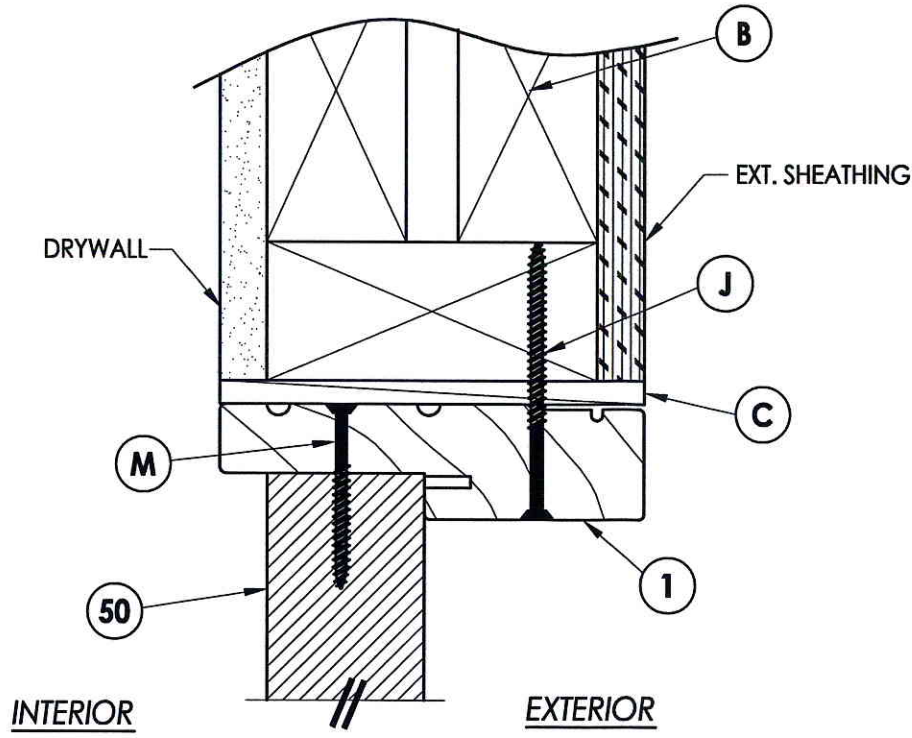
**RW** BUILDING CONSULTANTS, INC.  
P.O. Box 230 Valrico FL 33595  
Phone No.: 813.659.9197

TEXAS BOARD OF PROFESSIONAL ENGINEERS  
CERTIFICATE OF REGISTRATION # F-11852

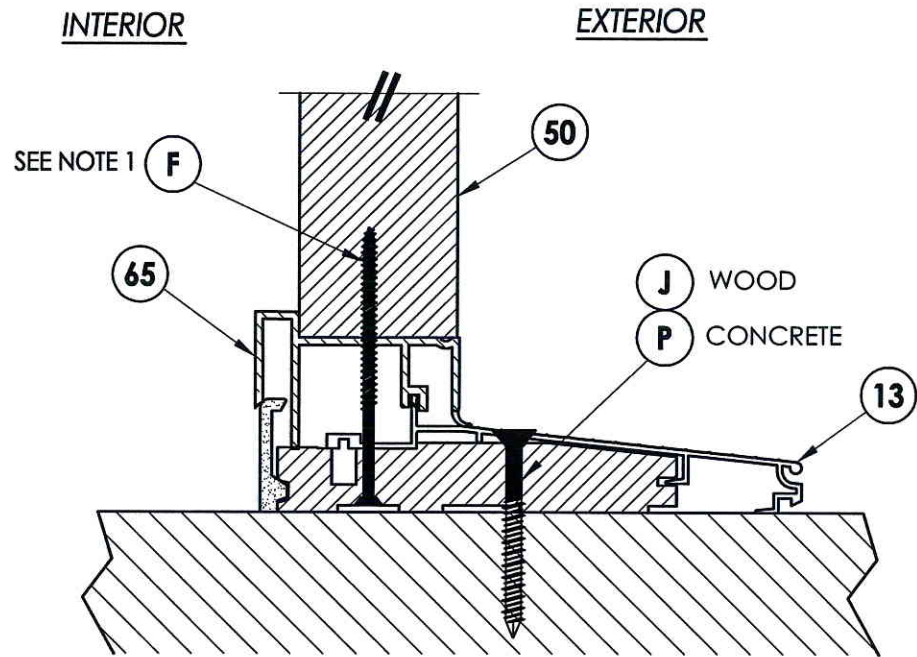
PRODUCT:	THERMA-TRU STEEL DOOR
PART OR ASSEMBLY:	VERTICAL CROSS SECTIONS

NO.	DATE	BY	REVISIONS

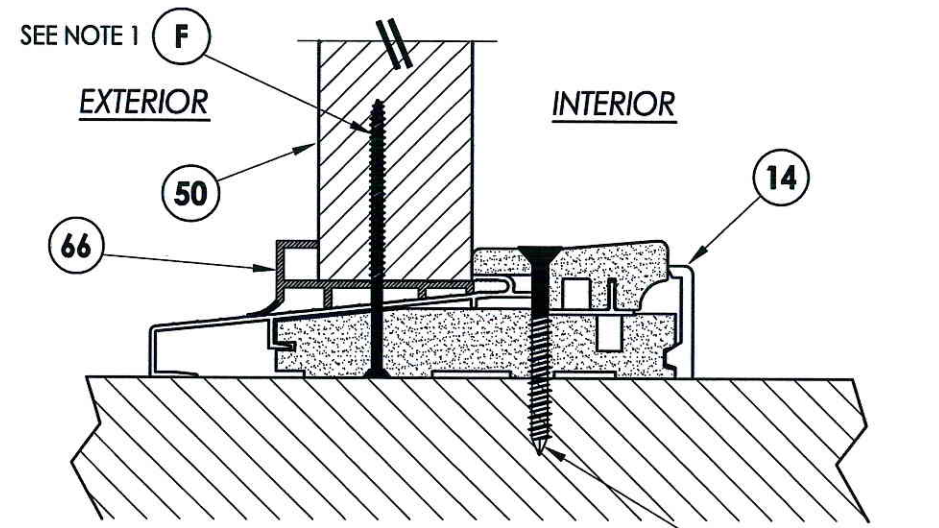
DATE:	08/16/12
SCALE:	N.T.S.
DWG. BY:	JK
CHK. BY:	LFS
DRAWING NO.:	TX-4229
SHEET	6 OF 10



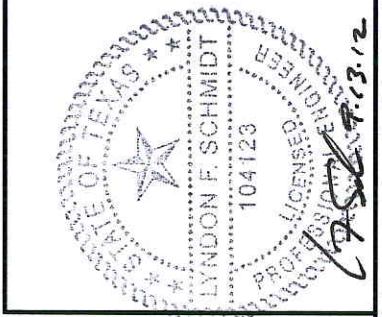
**1** VERTICAL CROSS SECTION  
 7 Inswing shown - Outswing also approved



**2** VERTICAL CROSS SECTION  
 7 Inswing configuration



**3** VERTICAL CROSS SECTION  
 7 Outswing configuration



Note:  
 1. Sidelite assembly screws located 3" from each end (2 total).

Documents Prepared By: Lyndon F. Schmidt, P.E.  
 TEXAS P.E. #104123

**RW** BUILDING CONSULTANTS, INC.  
 P.O. Box 230 Valrico FL 33595  
 Phone No.: 813.659.9197

TEXAS BOARD OF PROFESSIONAL ENGINEERS  
 CERTIFICATE OF REGISTRATION # F-11852

PRODUCT:	THERMA-TRU STEEL DOOR
PART OR ASSEMBLY:	VERTICAL CROSS SECTIONS

NO.	DATE	BY

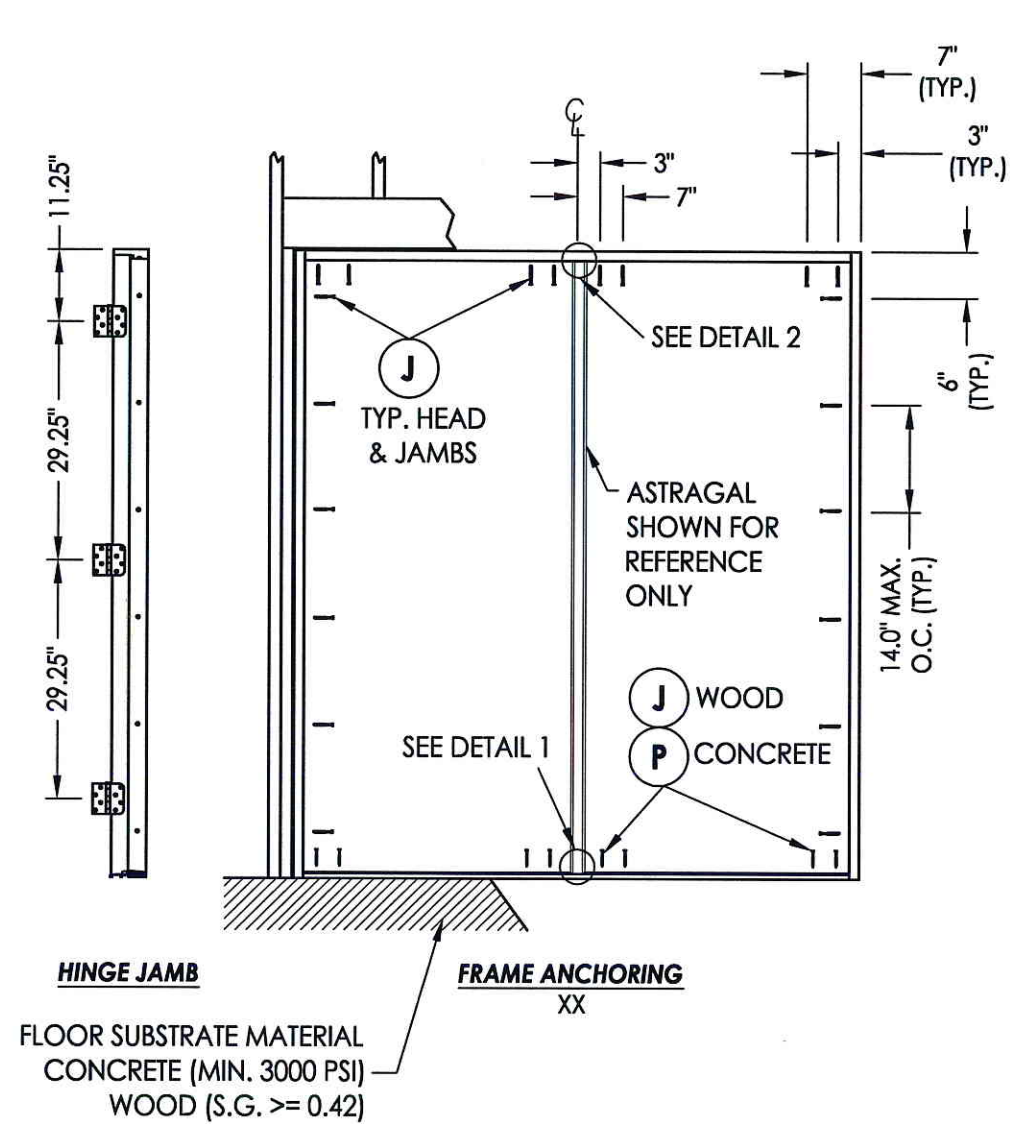
DATE:	08/16/12
SCALE:	N.T.S.
DWG. BY:	JK
CHK. BY:	LFS
DRAWING NO.:	TX-4229
SHEET	7 OF 10



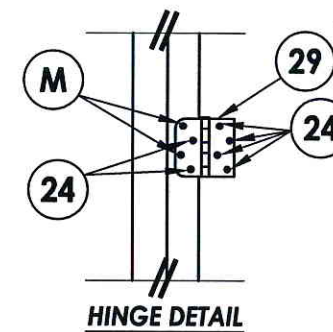
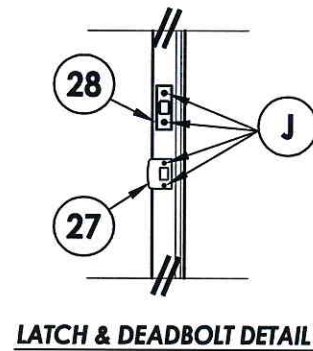
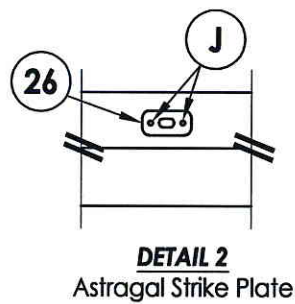
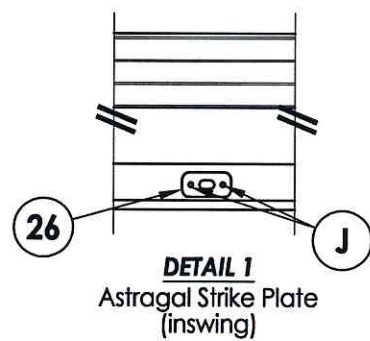
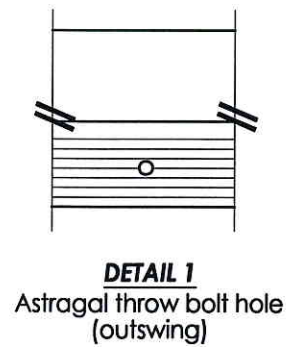
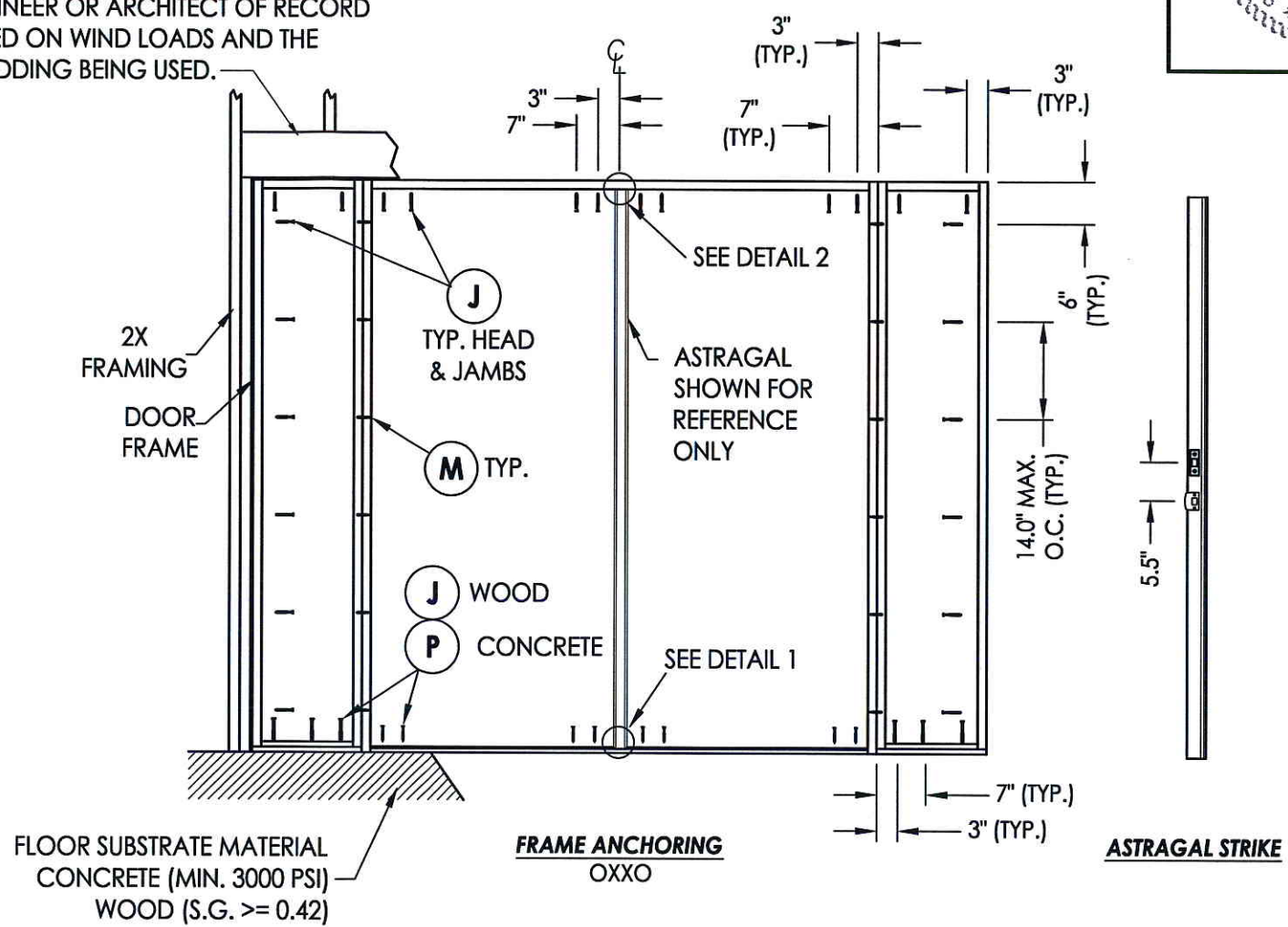
Documents Prepared By: Lyndon F. Schmidt, P.E.  
 TEXAS P.E. #104123

**RW** BUILDING CONSULTANTS, INC.  
 P.O. Box 230 Valrico FL 33595  
 Phone No.: 813.659.9197

TEXAS BOARD OF PROFESSIONAL ENGINEERS  
 CERTIFICATE OF REGISTRATION # F-11852



2X FRAMING TO BE DESIGNED BY THE ENGINEER OR ARCHITECT OF RECORD BASED ON WIND LOADS AND THE CLADDING BEING USED.



PRODUCT:	THERMA-TRU STEEL DOOR
PART OR ASSEMBLY:	FRAME ANCHORING
NO.	DATE
BY	REVISIONS
DATE:	08/16/12
SCALE:	N.T.S.
DWG. BY:	JK
CHK. BY:	LFS
DRAWING NO.:	TX-4229
SHEET	8 OF 10



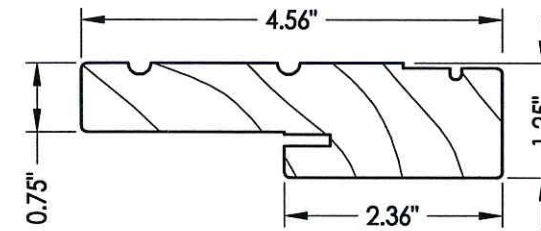


BILL OF MATERIALS		
ITEM #	DESCRIPTION	MATERIAL
B	2X BUCK (SG >= 0.42)	WOOD
C	1/4" MAX. SHIM SPACE	-
F	#10 X 3" PFH WOOD SCREW	STEEL
J	#10 X 2-1/2" PFH WOOD SCREW	STEEL
M	#10 X 2" PFH WOOD SCREW	STEEL
P	1/4" PFH ELCO OR ITW CONCRETE SCREW (1-3/4" MIN. EMB.)	STEEL
1	JAMB - FINGER JOINTED PINE	WOOD
7	WEATHERSTRIP (Long Reach by Therma-Tru)	FOAM
8	SWEEP	VINYL
9	WEATHERSTRIP (Medium Reach by Therma-Tru)	FOAM
13	INSWING THRESHOLD	ALUM/COMP
14	OUTSWING THRESHOLD	ALUM/COMP
23	#10 X 1-1/2" PANHEAD SMS	STEEL
24	#10 x 1" PFH WOOD SCREW	STEEL
26	ASTRAGAL STRIKE PLATE	STEEL
27	LATCH STRIKE PLATE	STEEL
28	DEADBOLT STRIKE PLATE	STEEL
29	4" X 4" HINGE	STEEL
40	DOOR PANEL	-
44	HURRICANE ASTRAGAL	-
45	ASTRAGAL FLUSH BOLT	-
46	ASTRAGAL FLUSH BOLT RETAINER	-
50	SIDELITE PANEL	-
65	INSWING SIDELITE ADAPTER	PVC
66	OUTSWING SIDELITE ADAPTER	PVC

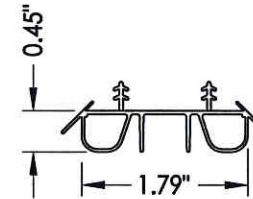
**CONCRETE ANCHOR NOTES:**

- Concrete anchor locations at the corners may be adjusted to maintain the min. edge distance to mortar joints.
- Concrete anchor locations noted as "MAX. ON CENTER" must be adjusted to maintain the min. edge distance to mortar joints, additional concrete anchors may be required to ensure the "MAX. ON CENTER" dimension are not exceeded.
- Concrete anchor table:

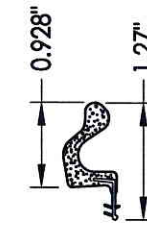
ANCHOR TYPE	ANCHOR SIZE	MIN. EMBEDMENT	MIN. CLEARANCE TO MASONRY EDGE	MIN. CLEARANCE TO ADJACENT ANCHOR
ITW TAPCON®	1/4"	1-3/4"	2-1/2"	3"
ELCO ULTRACON®	1/4"	1-3/4"	1"	3"



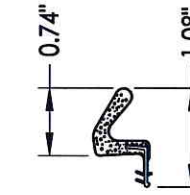
1 WOOD JAMB



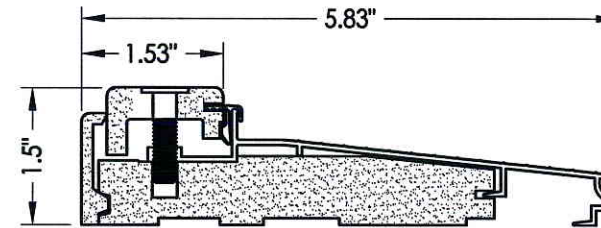
8 SWEEP



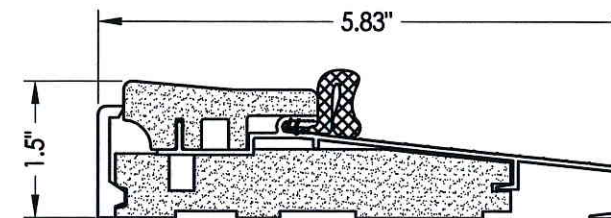
7 WEATHERSTRIP Long Reach



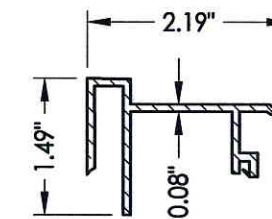
9 WEATHERSTRIP Medium Reach



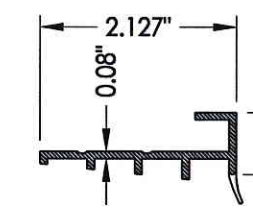
13 INSWING THRESHOLD



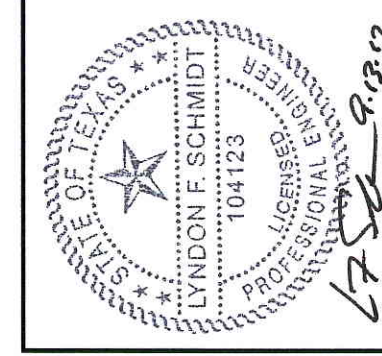
14 OUTSWING THRESHOLD



65 INSWING SIDELITE ADAPTER



66 OUTSWING SIDELITE ADAPTER



Documents Prepared By: Lyndon F. Schmidt, P.E.  
TEXAS P.E. #104123

**RW** BUILDING CONSULTANTS, INC.  
P.O. Box 230 Vairico FL 33595  
Phone No.: 813.659.9197

TEXAS BOARD OF PROFESSIONAL ENGINEERS  
CERTIFICATE OF REGISTRATION # F-11652

PRODUCT: THERMA-TRU STEEL DOOR

PART OR ASSEMBLY: BILL OF MATERIALS & COMPONENTS

NO.	DATE	BY	REVISIONS

DATE: 08/16/12

SCALE: N.T.S.

DWG. BY: JK

CHK. BY: LFS

DRAWING NO.: TX-4229

SHEET 10 OF 10